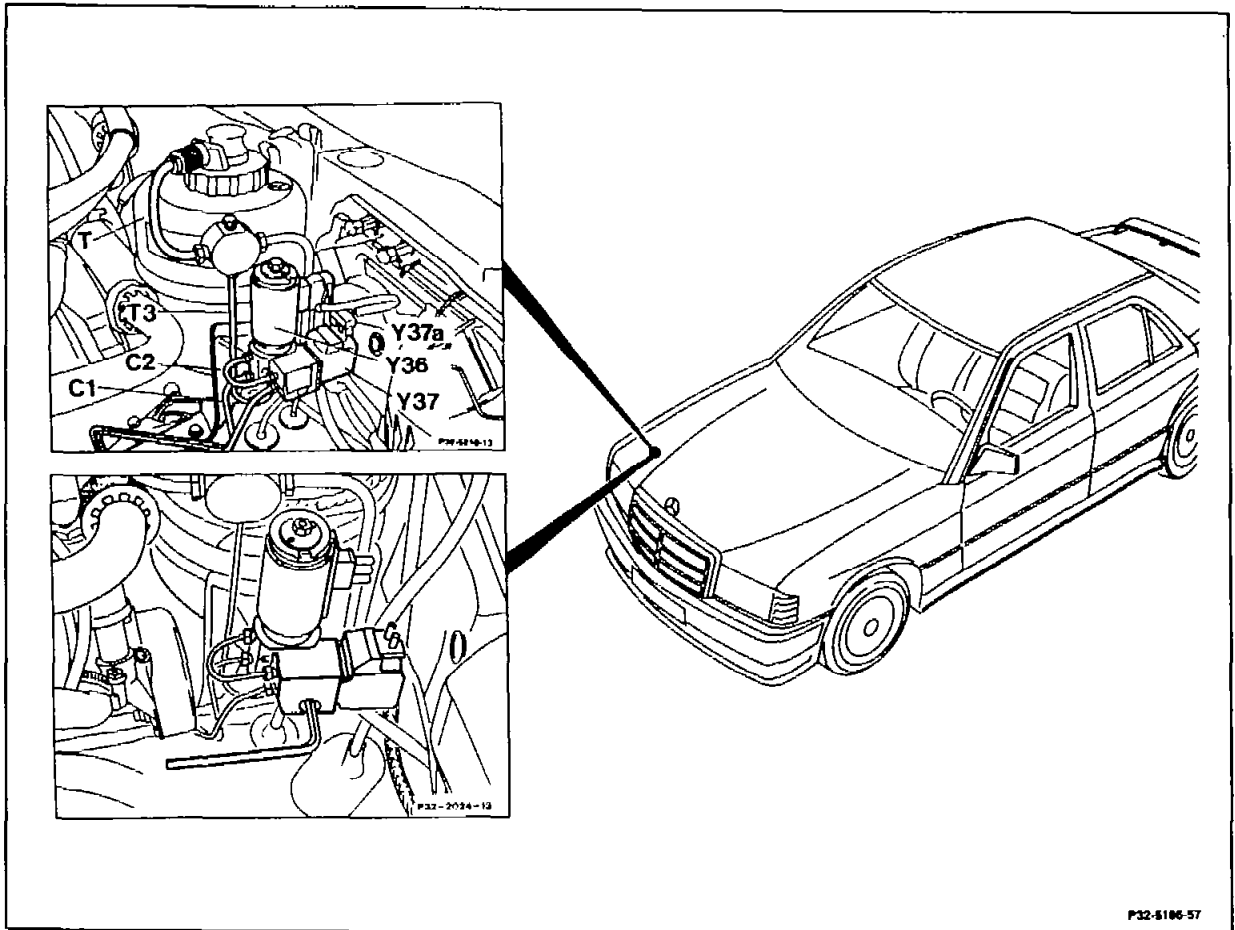


**32-0700 Removing and installing electrical check valve  
(models 201.034/035/036)**



P32-6186-57

2-pin plug (Y37a) .....	Disconnect, connect.
3-pin plug .....	Disconnect, connect.
Control pressure lines (C2) .....	Disconnect, connect using an open box wrench 116 589 00 17 00, 14 Nm.
Electrical check valve (Y37) .....	Remove, install. Unscrew, tighten hexagon socket bolt.
Pressure oil system .....	Fill (32-0630).

**Special tools**

