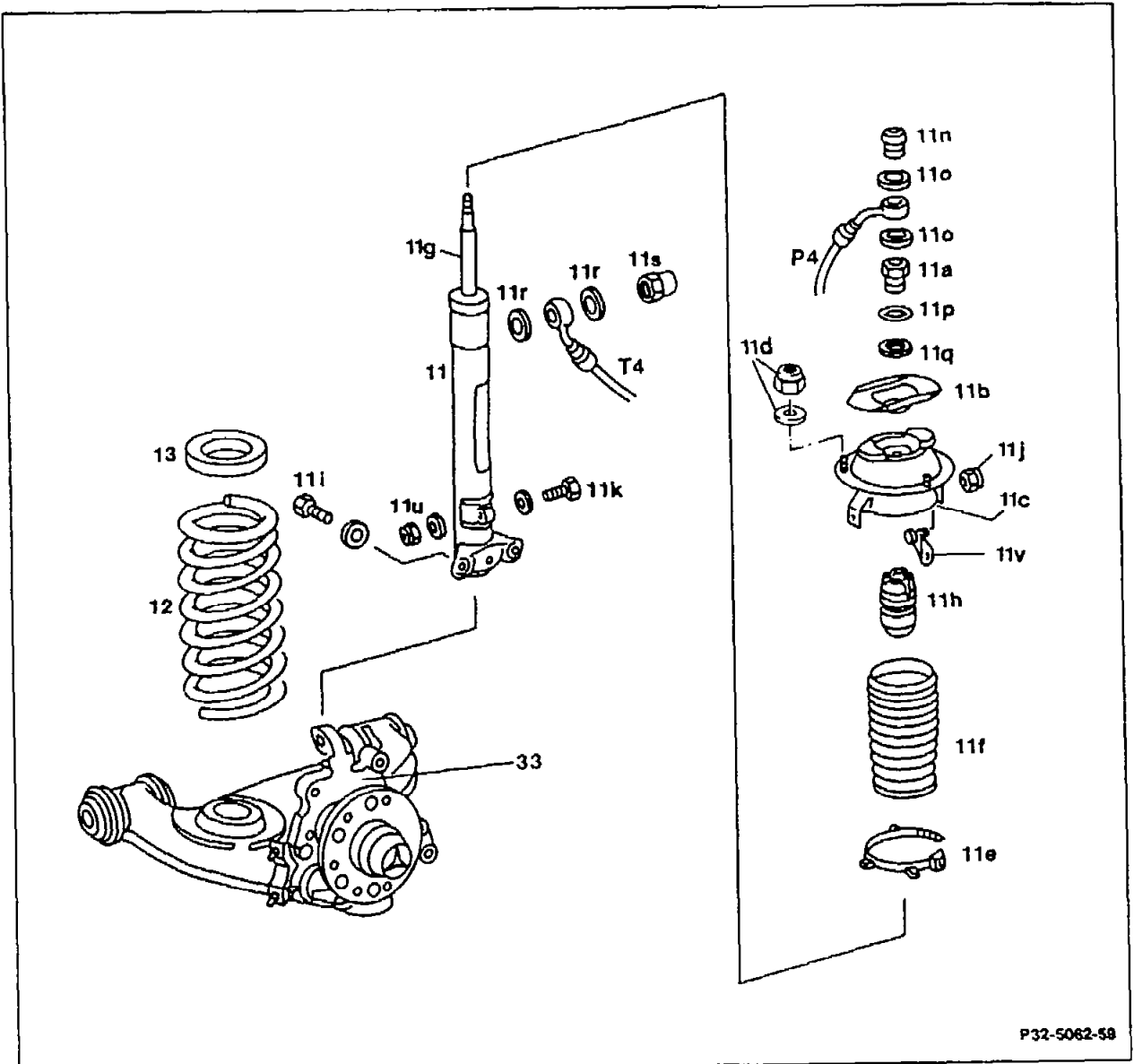


32-0615 Removing and installing front axle spring struts (models 201.034/035/036)

Preceding work:
Pressure oil system emptied (32-0630).

Operation no. of operation texts and work units or standard texts
and flat rates:
32-0030

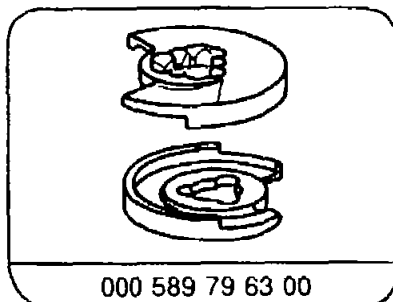
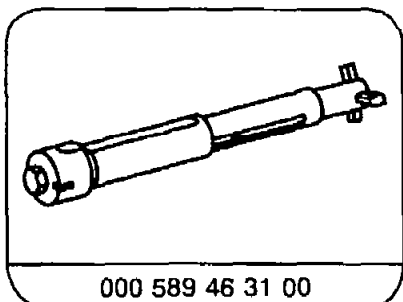


P32-5062-58

Front wheel	Remove, install. Wheel bolts 110 Nm.
Vehicle	Raise, lower (00-9008).
Front spring (12)	Compress, release using clamp 000 589 46 31 00 and clamp plates 000 589 79 63 00 (32-0200).

Self-locking hexagon nut (11j)	Unscrew, screw on, replace. Remove, install fastening clamp on pressure hose (P4) (step 5).
Special bolt (11n)	Unscrew, tighten, 20 Nm (step 6).
Sealing rings (11o)	Replace (step 6).
Pressure line (P4)	Disconnect, connect (step 6).
Threaded sleeve (11a)	Unscrew, screw on, 60 Nm (step 7).
O-ring (11p)	Replace (step 8).
Washer (11q)	Replace (step 8).
Rebound stop (11b)	Remove, install.
Cap nut (11s)	Unscrew, tighten, 10 Nm (step 9).
Sealing rings (11r)	Replace (step 9).
Return line (T4)	Pull out, push in at retaining clip (step 10).
Hexagon bolt (11k), self-locking hexagon nut (11u), self-locking hexagon bolts (11i) of lower mounting of spring strut (11) on steering knuckle (33)	Remove, install, 110 Nm. When installing, replace self-locking hexagon nut (11u) and self-locking hexagon bolts (11i). Secure steering knuckle with a hook to prevent tilting (steps 11, 12 and 13).
Spring strut(11)	Remove downwards, install. Before installing, engage sleeve (11f) in rubber mount. Clean contact surface of steering knuckle. Tighten retaining strap (11e) in annular bead of spring strut tube. Ensure correct seating (step 14).
Bump stop (11h)	Remove, install. Refer to installation note under step 14.
Wheel adjustment on front axle	Check (40-0320).

Special tools



Removing and installing

- 1 Slacken front wheel bolts.
- 2 Raise vehicle (00-9008).
- 3 Remove front wheel.

Installation notes

Tighten wheel bolts to 110 Nm.

Check wheel adjustment on front axle (40-0320).

Note

The spring struts simultaneously act as rebound stops for the front wheels. Therefore only disconnect the spring strut mountings when the vehicle is standing on its wheels, the wishbone arm is supported or the spring clamp and spring plates are installed.

Spring struts can be replaced individually for repairs. The versions of spring strut must match according to the color code, e.g. a longitudinal red stripe.

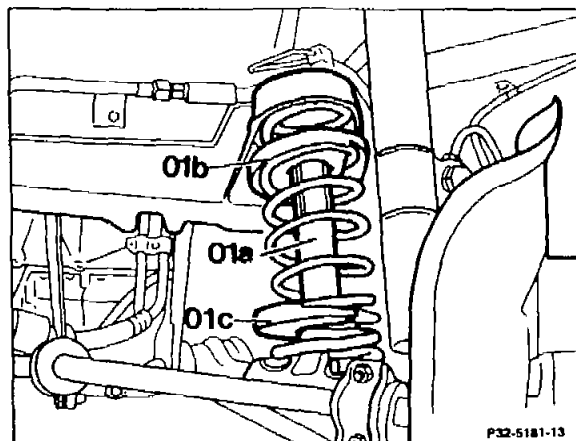


The cross-pieces of the clamping bolt and the guide sleeve must be correctly seated in the grooves of the two clamp plates. **Risk of accident!**

4 Install spring clamp (01a) and clamp plates (01b and 01c) for front spring and compress spring until wishbone arm is relieved of load (32-0200).

Note

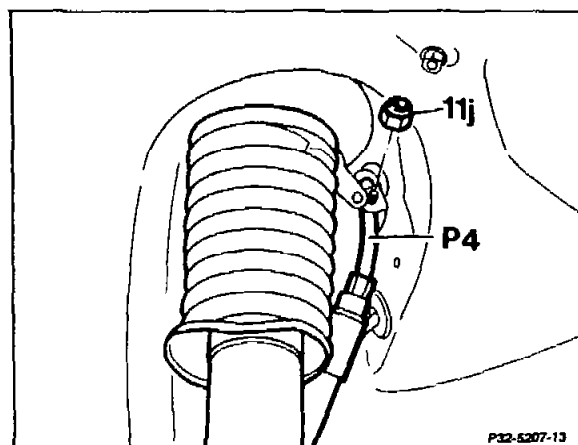
Install the clamp plates of the spring clamp in the front spring such that 8 coils of the spring are clamped.



5 Unscrew self-locking hexagon nut (11j). Pull pressure line (P4) off rubber mount.

Installation note

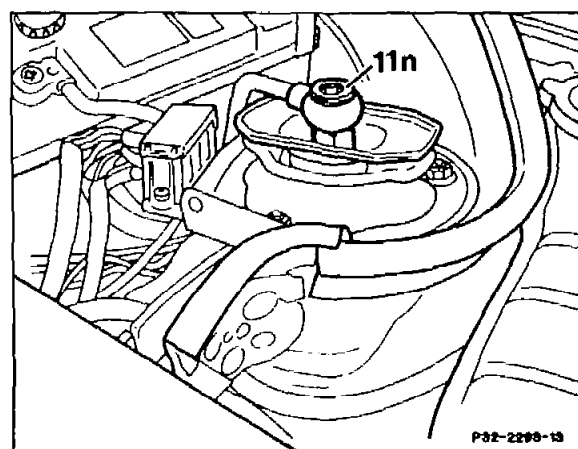
Replace self-locking hexagon nut (11j).



6 Unscrew special bolt (11n) and remove sealing rings and pressure line (P4).

Installation note

Tighten special bolt to 20 Nm. Replace sealing rings.



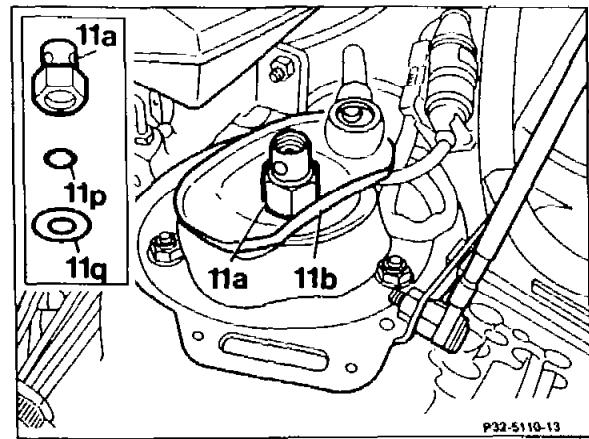
7 Unscrew threaded sleeve (11a).

8 Remove O-ring (11p), washer (11q) and rebound stop (11b).

Installation note

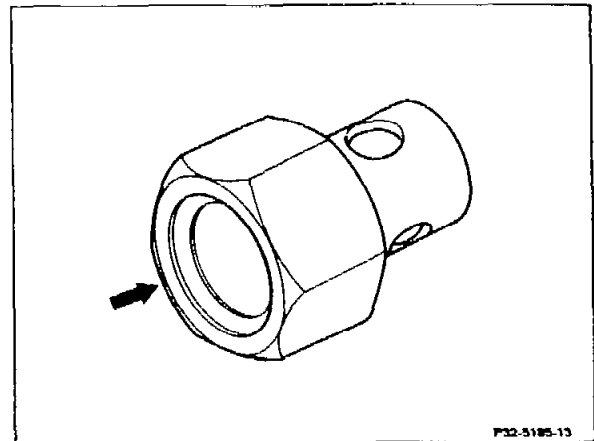
Tighten threaded sleeve to 60 Nm.

Replace O-ring (11p) and washer (11q).



Note

If there is persistent leakage at the screwed connection, check front face (arrow) of threaded sleeve and turn off threaded sleeve by approx. 0.4 mm. At the same time check the contact surface on the rebound stop (11b).

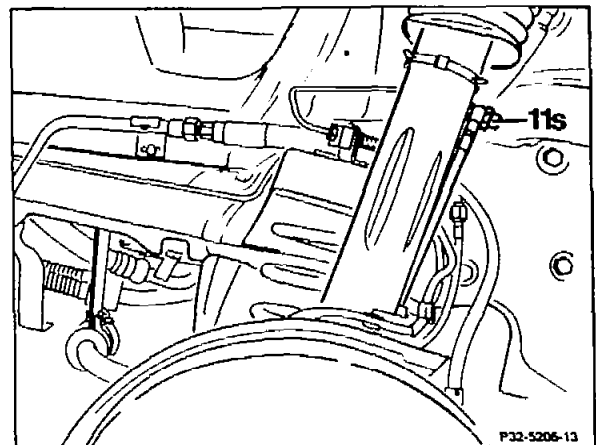


9 Unscrew cap nut (11s) and remove sealing rings.

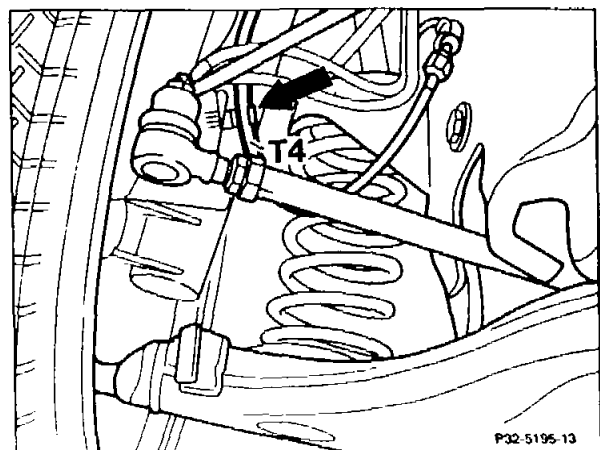
Installation notes

Tighten banjo bolt to 10 Nm.

Replace sealing rings.



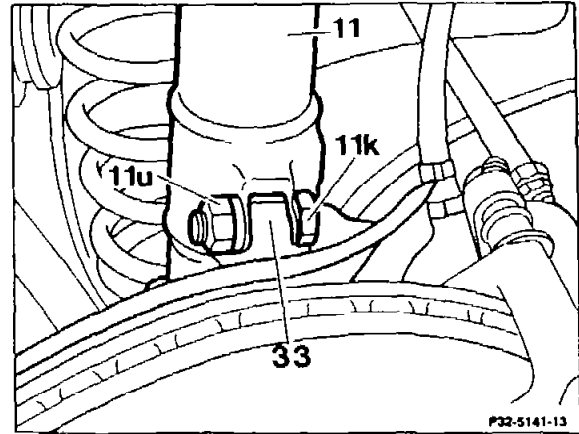
10 Pull return line (T4) out of retaining clip (arrow).



11 Unscrew self-locking hexagon nut (11u) and remove washers and hexagon bolt (11k).

Installation notes

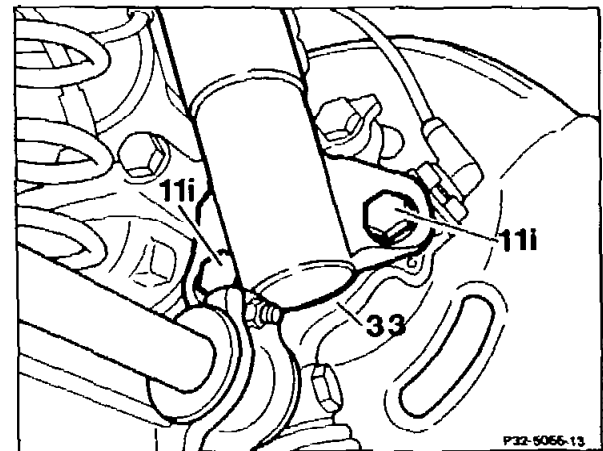
Replace self-locking hexagon nut (11u), 110 Nm.



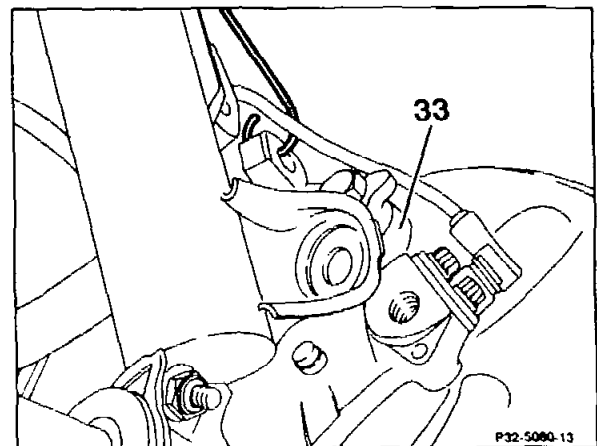
12 Unscrew self-locking hexagon bolts (11i) and remove washers.

Installation note

Replace self-locking hexagon bolts, 110 Nm.



13 Secure steering knuckle (33) with a hook to prevent tilting.



14 Remove spring strut (11) downwards.

Installation notes

Check sleeve and bump stop for damage. Place the retaining strap at the level of the annular bead around the spring strut tube and tighten. Raise the front axle half shaft with a jack and install the upper mounting of the spring strut.

15 Install in the reverse sequence.

