


K17	BT00.00-X-1000Z	Technical modifications	28.6.99
------------	-----------------	--------------------------------	----------------

BT18.00-P-0001-01A	Oil spray nozzles for cooling piston crowns modified	Engines 604, 605, 606	L17
BT18.10-P-0001-01A	Oil pump with press-mounted oil pump drive gear		N17



L17 BT18.00-P-0001-01A	Oil spray nozzles for cooling piston crowns modified	Engines 604, 605, 606	 BT
-------------------------------	--	-----------------------	---

Production breakpoints/modifications/new features

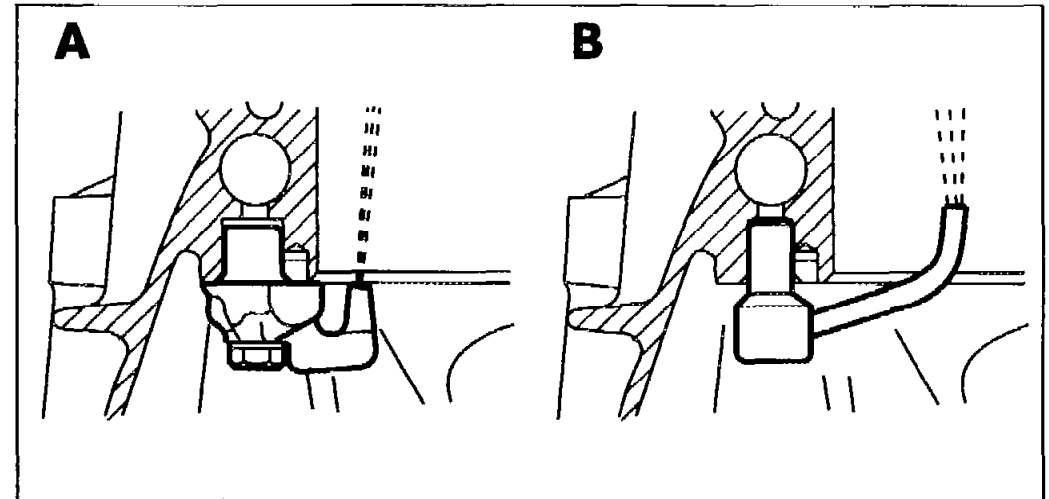
Engine	LHD RHD	Trans- mis- sion	Engine end no. as of	Engine end no. up to	Productio n period as of	Productio n period up to	Nature and reason for modification	Reference/remarks
604.910		0	037044		01.95			
604.910		2	007702		01.95			
605.910		0	021048		12.94			
605.910		2	009993		12.94			
605.911		0	029076		12.94			
605.911		2	011001		12.94			
605.960		0						
605.960		2						
606.910		0	007959		12.94			
606.910		2	015577		12.94			




Modified oil spray nozzles

The oil spray nozzles for cooling the piston crowns (made of sheet steel) are interference-fitted into the connection ports to the main oil gallery, previously screwed-in (die-casting).

- A Previous version (screwed-in)
- B Present version (interference-fit)



N17 BT18.10-P-0001-01A	Oil pump with press-mounted oil pump drive gear		 BT
-------------------------------	---	--	---

**ENGINE 604.910 #0 as of 117452,
604.910 #2 as of 025225,
604.912 #0 as of 040686,
604.912 #2 as of 013120,
604.915 #0 as of 000741,
604.915 #2 as of 000045,
604.917 #0 as of 000590,
604.917 #2 as of 000040**

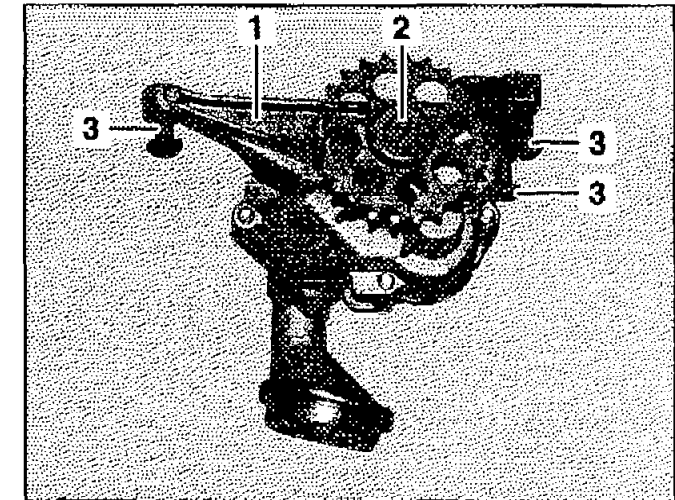
As of approx. 08.97 a modified oil pump has been fitted to the engine stated above.

The oil pump drive gear (2) is pressed on.

The oil pump (1) is fixed at the crankcase by three torx fit collar bolts (3) which have a modified tightening torque.

The front dowel sleeves are no longer fitted.

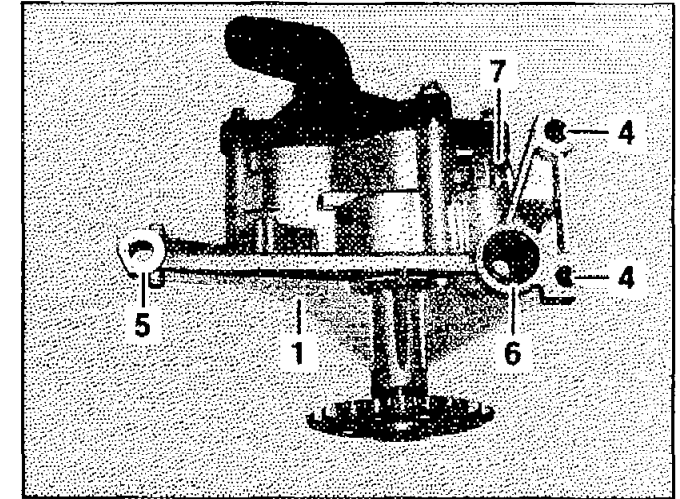
 **The oil pump must only be attached to the crankcase using the fit collar bolts (3).**



P18.10-0253-01



The left front hole (4) is a fit hole, the right front hole (5) has a slot.
The oil pump (1) is sealed to the crankcase by means of an O-ring (6).
The screw plug for the oil overpressure valve is replaced by a metal cover with circlip (7).
The oil overpressure valve cannot be removed.



P18.10-0254-01