



P17	GF00.00-X-1000Z	Function descriptions, model/equipment combinations	28.6.99
------------	-----------------	--	----------------

GF20.30-P-1000-01A	Expansion reservoir cap function		A18
--------------------	----------------------------------	--	------------

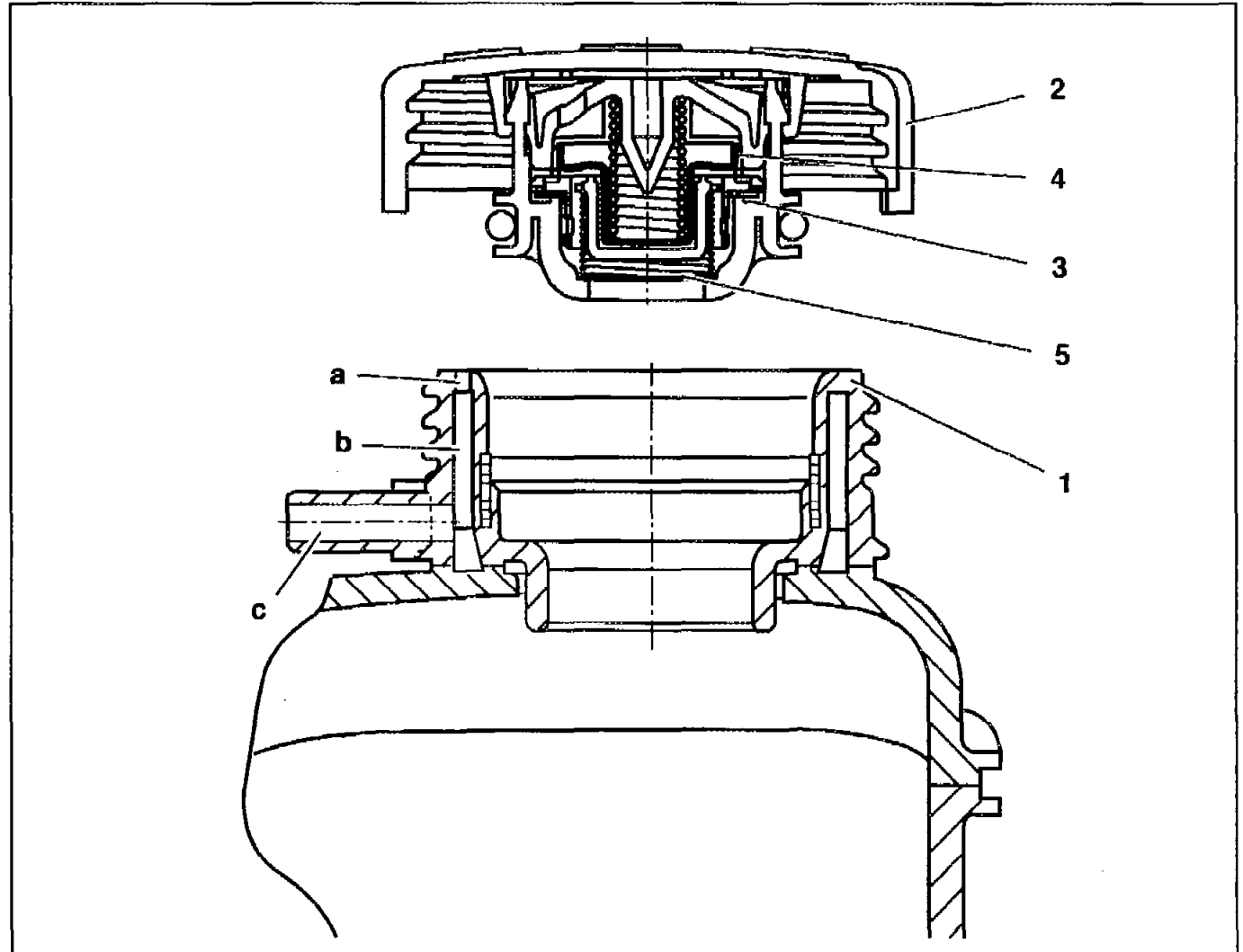
A18

GF20.30-P-1000-01A

Expansion reservoir cap function



- 1 Expansion reservoir
- 2 Cap
- 3 Pressure relief valve 1st stage
- 4 Pressure relief valve 2nd stage
- 5 Vacuum valve
- a Ventilation drillings
- b Annular passage
- c Outlet connection





The cap has two opening pressures

1st stage

If the pressure in the cooling system rises beyond the first pressure stage, the valve (3) opens and allows the pressure to flow into the top part of the cap (1).

2nd stage

If the pressure rises further, the valve (4) of the 2nd stage opens and allows the pressure to pass through several ventilation drillings (a) arranged at the opening of the expansion reservoir (1), along the annular passage (b) into the outlet connection (c) and along a hose extension to atmosphere.

The overflow reservoir is discontinued with interruption of the 2-stage cap.