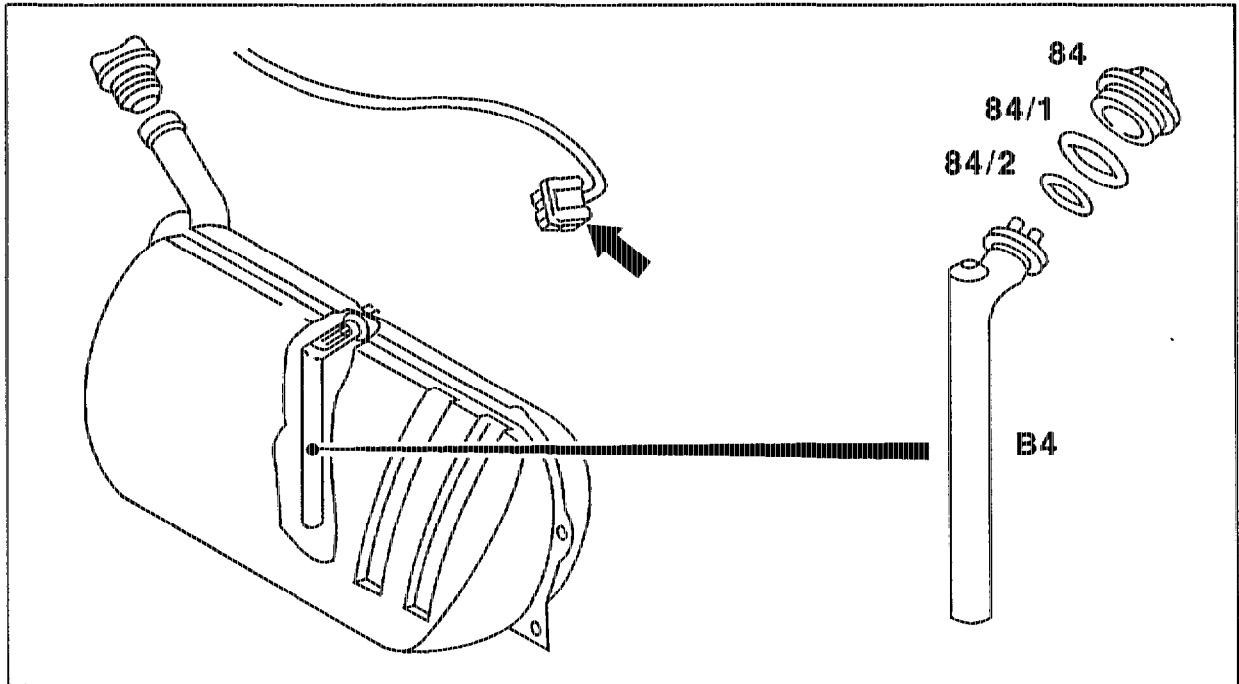


47-7000 Removing and installing fuel gauge sender

Operation no. of operation texts and work units or standard texts
and flat rates:
47-7000

A. Sedan



P47-5165-55



Pay attention to safety precautions!

Ground cable at battery	disconnect, connect.
Trim of fuel tank	remove, install.
Coupling (arrow) for fuel gauge sender (B4)	unplug, plug in.
Sealing flange (84)	unscrew, screw in. Tightening torque 40 Nm.



If fuel tank is full, pump out about 8 liters.

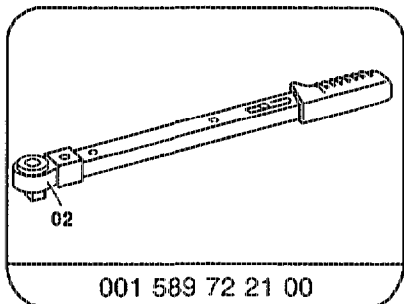
O-rings (84/1, 84/2)	replace.
----------------------------	----------

Fuel gauge sender (B4) remove, install. Run sender until empty, if necessary.

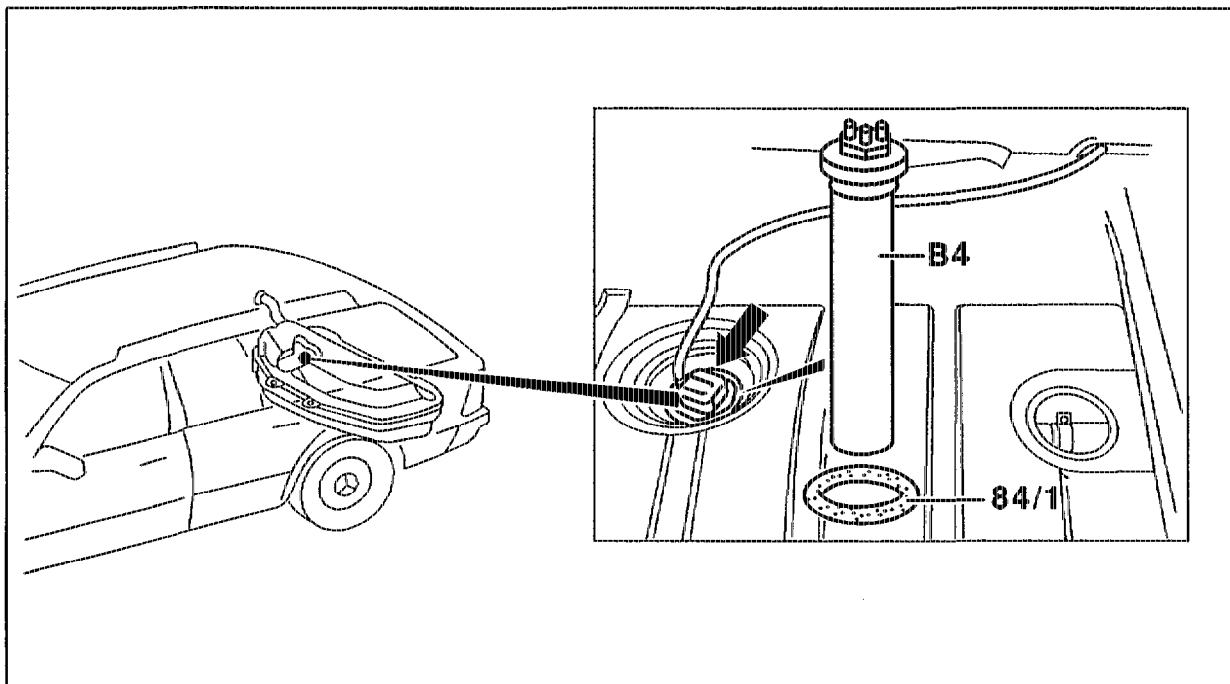
Note

If new part, remove locking pin below adhesive film.

Special tool



B. Station Wagon



P47-5166-55



Pay attention to safety precautions!

Ground cable at battery	disconnect, connect.
Front loading flap or backrest of bench seat	remove, install.
Loading area trim	partially remove, install.
Cover	unclip, clip in place.
Coupling (arrow) for fuel gauge sender (B4)	unplug, plug in.
Fuel gauge sender (B4)	remove, install. Run sender until empty, if necessary. Tightening torque 40 Nm.

O-ring (84/1)

replace.

Note

If new part, remove locking pin below adhesive film.

Special tool

