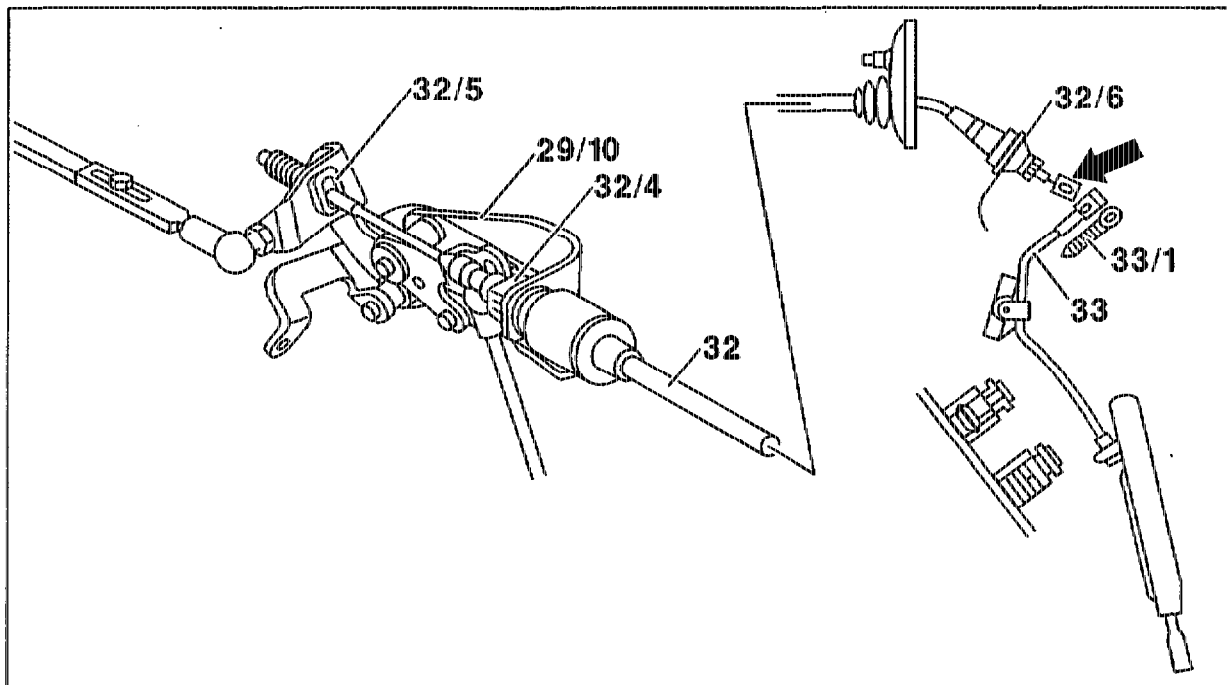


30-3402 Removing and installing, replacing Bowden cable

Operation no. of operation texts and work units or standard texts and flat rates:
30-3402



P30-5310-55

| | | |
|--|-------|---|
| Bowden cable (32) at accelerator control lever | .. | detach. To do this, press out guide piece (32/5) at accelerator pedal lever, press in. |
| Plastic clips (32/4) | | press together and pull out of accelerator pedal lever bracket (29/10), together with Bowden cable, press in. |
| Footwell trim | | remove, install. |
| Bowden cable mount (arrow) at accelerator pedal lever (33) | | detach, attach. To do this, detach return spring (33/1), attach. |
| Bowden cable (32) | | press to the outside working from interior, insert. Do not press out rubber grommet (32/6). |
| Bowden cable (32) complete | | take out working from engine compartment, insert. |
| Rubber grommet (32/6) | | examine, replace if necessary. |
| Bowden cable (32) between guide piece and end piece | | grease. Use anti-corrosion grease 000 989 51 10 for this purpose. |
| Accelerator control | | adjust (30-1010). |