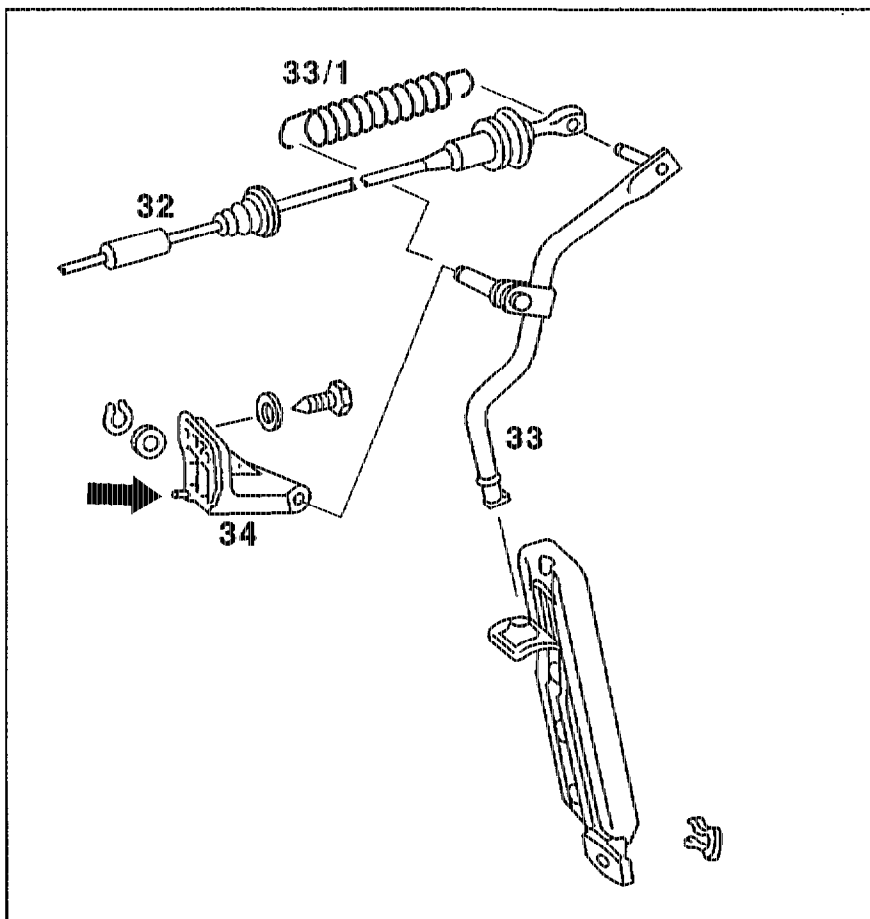


30-3022 Removing and installing firewall pivot bearing with accelerator pedal lever

Preceding work:
Removing and installing accelerator pedal (30-1321).

Operation no. of operation texts and work units or standard texts
and flat rates:
30-3022



P30-5309-37

Footwell trim	remove, install.
Return spring (33/1)	detach, attach.
Bowden cable (32) at accelerator pedal lever (33)	detach, fit on.
Bolts of firewall pivot bearing	unscrew, screw in.
Firewall pivot bearing (34) together with accelerator pedal lever (33)	take off, fit on.

Installation note

The lug (arrow) of the firewall pivot bearing (34) must engage in the hole in the firewall.

Firewall pivot bearing (34) at accelerator pedal lever (33)	pull off, fit on. To do this, pull off circlip and shim, fit on.
Accelerator control	check, adjust if necessary (30-1010).