

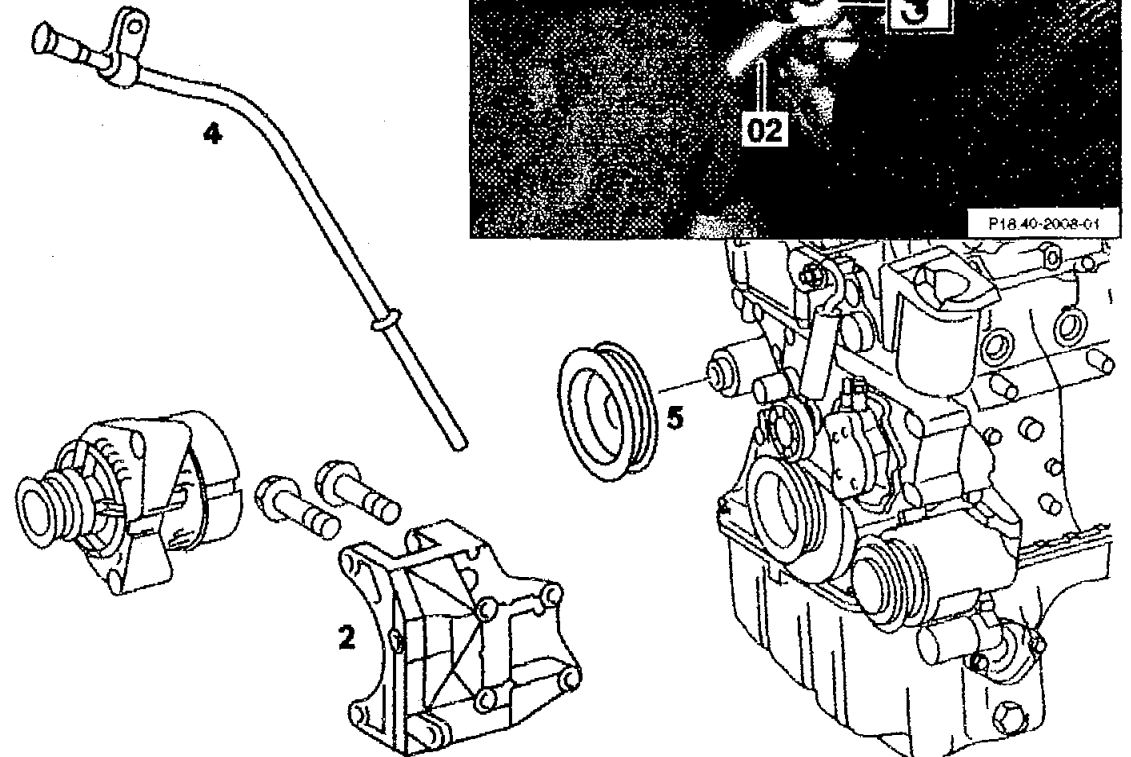
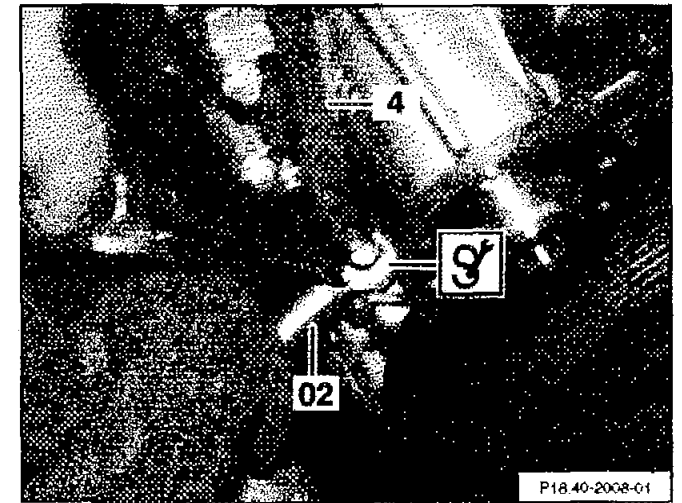
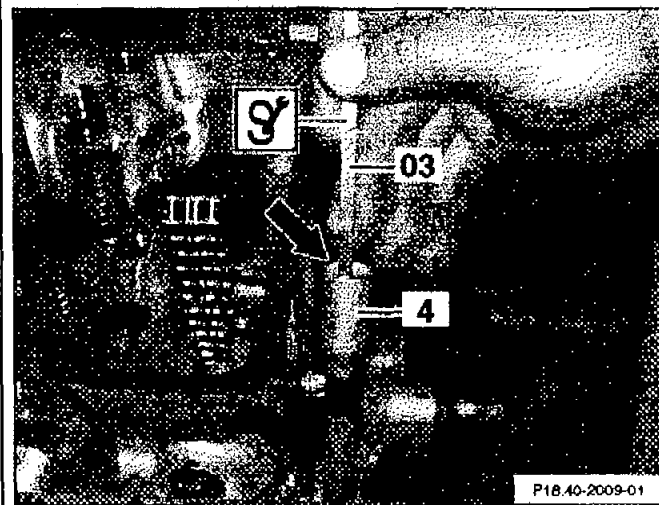
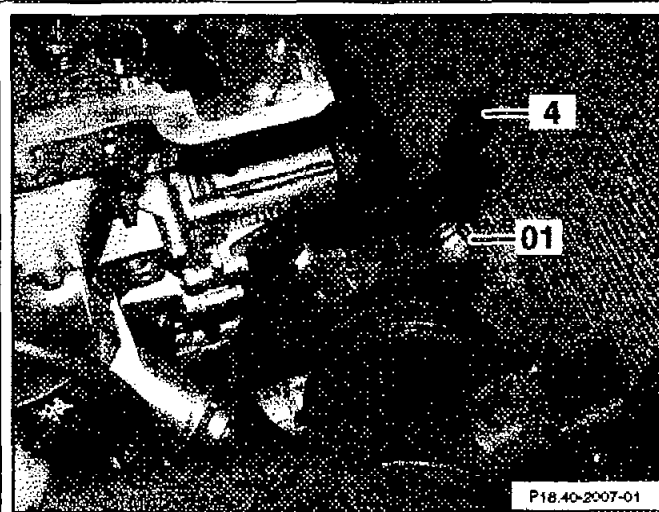
H4

AR18.40-P-3510HA







Removing and installing dipstick guide tube



15.1.98

ENGINE 605.96





 	Removing, installing		
1	Disconnect ground cable of the battery		AR54.10-P-0003A
2	Remove top charge air pipe		AR09.41-P-1311H
3	Remove viscous fan clutch		AR20.40-P-5660HB J9
4	Remove poly V-belt, install		AR13.22-P-1202HA
5	Remove belt pulleys of coolant pump (5)	<p> Fit the poly V-belt onto the belt pulleys for slackening the bolts and attach counterholder.</p> <p></p> <p></p>	<p>603 589 00 40 00</p> <p>BA20.10-P-1001-01A</p>
6	Remove generator		AR15.40-P-5760EA
7	Remove generator support (2)		
8	Unbolt dipstick guide tube (4) at cylinder head		
9	Clamp tensioning pliers (01) onto dipstick guide tube		
10	Knock out dipstick guide tube (4) with tensioning pliers		
11	Insert new dipstick guide tube (4) into hole at timing case cover and bolt onto cylinder head	 so that installation position is fixed	

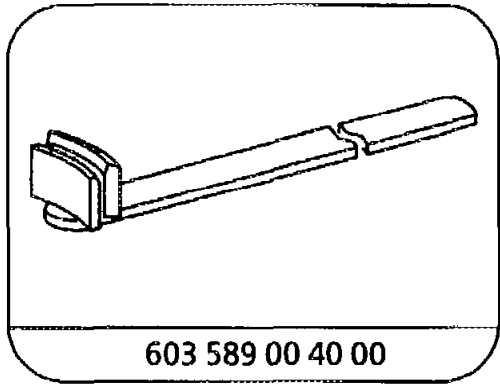
12	Knock in dipstick guide tube (4) with adapter (02) as far as the stop		111 589 12 31 00
13	Inspect installed dimension (arrow) with dipstick (03)	 Correct installed dimension if necessary	120 589 06 21 00 BE18.40-P-1001-02B
14	Install in the reverse order		

Test data of dipstick, dipstick guide tube

Number	Designation	Engine 605.96
BE18.40-P-1001-02B	Dipstick guide tube Clearance of top edge to bottom of oil pan mm	610-613

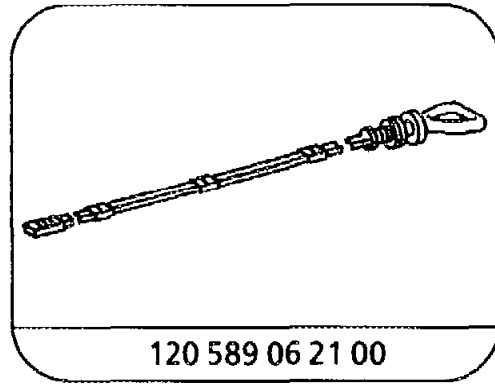
Coolant pump, coolant thermostat

Number	Designation	Engine 604, 605, 606
BA20.10-P-1001-01A	Bolt of belt pulley to coolant pump Nm	10



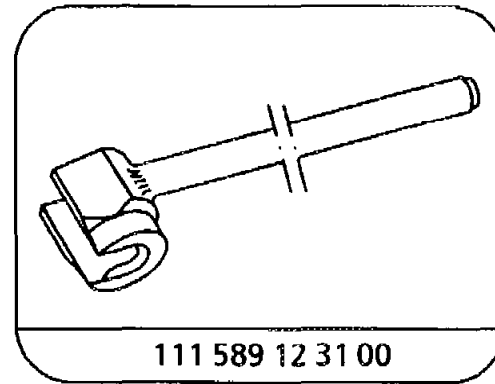
603 589 00 40 00

Counterholder



120 589 06 21 00

Dipstick



111 589 12 31 00

Adapter