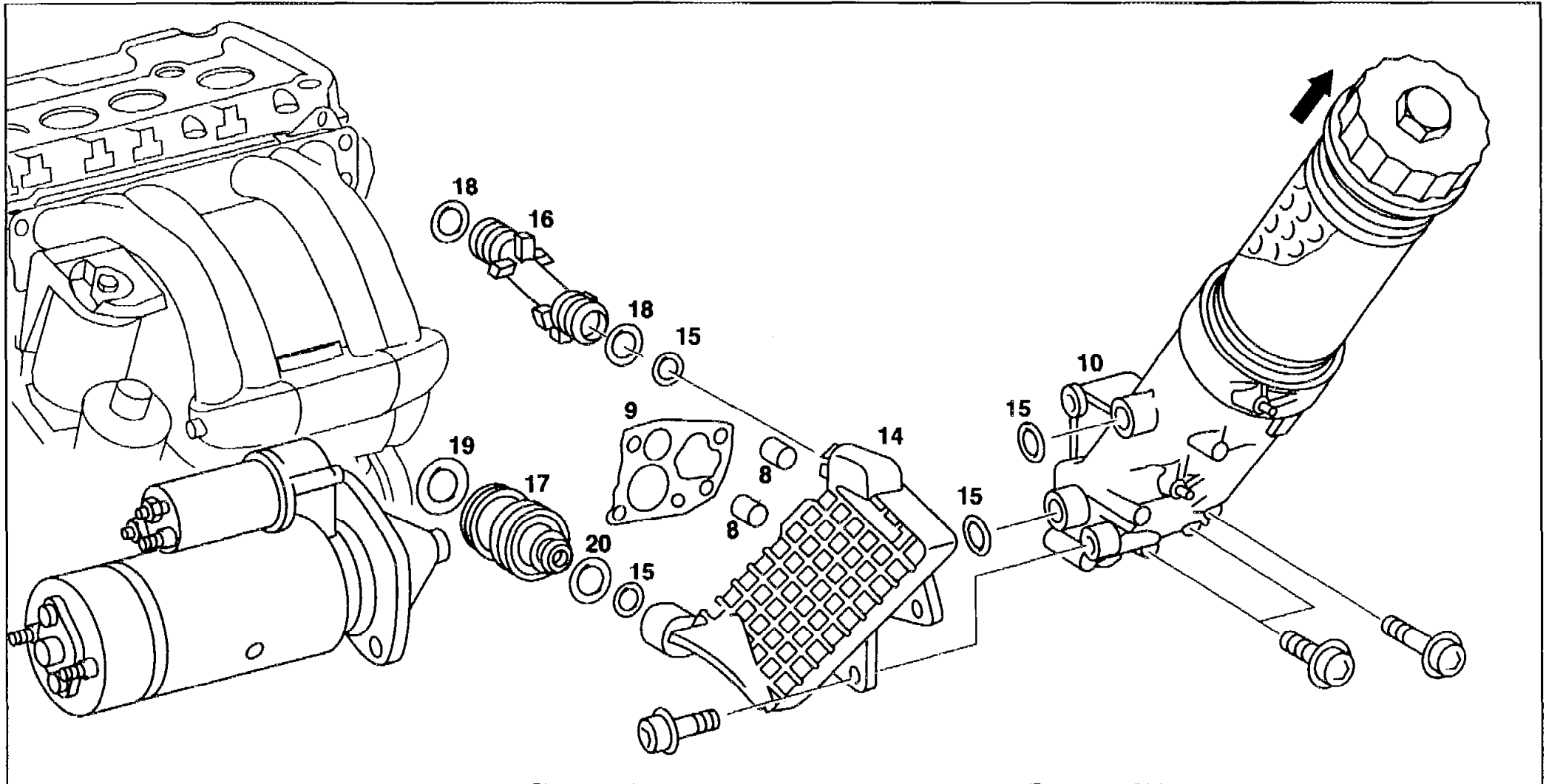


P3 AR18.30-P-3481A Removing, installing oil-to-water heat exchanger at oil filter

17.2.95

ENGINE 604, 605, 606.912 in MODEL 210



☒ ☒	Removing, installing		
1	Drain coolant		AR20.00-P-1142HA
2.1	Remove intake manifold	Engine 604, 605.91	AR09.20-P-1310H
3.1	Remove variable resonance intake manifold	Engine 606.912	AR09.20-P-1961H
4.1	Remove starter	i On engines where bottom bolt of oil filter housing is not accessible because of starter	AR15.30-P-7100EB
5	Drain engine oil from oil filter		AP18.00-P-0101AA
6	Unbolt bracket for intake manifold support at oil filter	Engine 604, 605	
7	Unbolt electric wiring harness at oil filter	Engine 606.912	
8	Unscrew oil filter housing (10) and remove	i Installation: pay attention to dowel sleeves (8). Clean gasket residues off sealing surface. Replace gasket (9).	
9	Unbolt oil-water heat exchanger (14) at oil filter	i Installation: replace O-rings (15)	
10	Pull connection fitting (16, 17) out of crankcase	i Installation: replace O-rings (18, 19, 20); coat with coolant before installing; do not use engine oil	
11	Install in the reverse order		