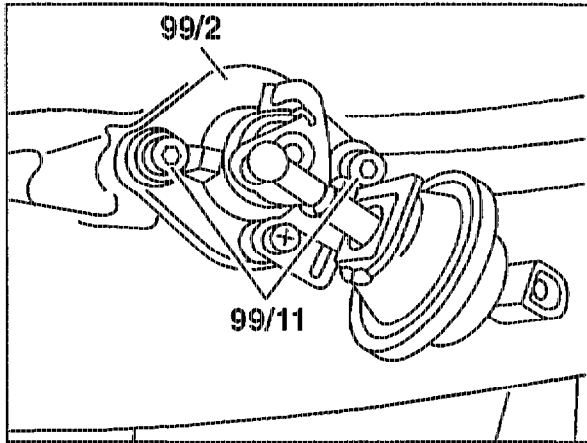


14-1992 Removing and installing intake line resonance flap

Preceding work:
Removing and installing resonance intake line (14-1984).

Operation no. of operation texts and work units or standard texts
and flat rates:
14-1992

Engine 606.910



P14-5147-13

Bolts (99/11)
Intake line resonance flap (99/2)

unscrew, screw in.

remove, insert. Pay attention to installation
position. Examine O-ring, replace if necessary.



Resonance flap must **not be operated by hand**. For testing, pressurize vacuum unit with vacuum.