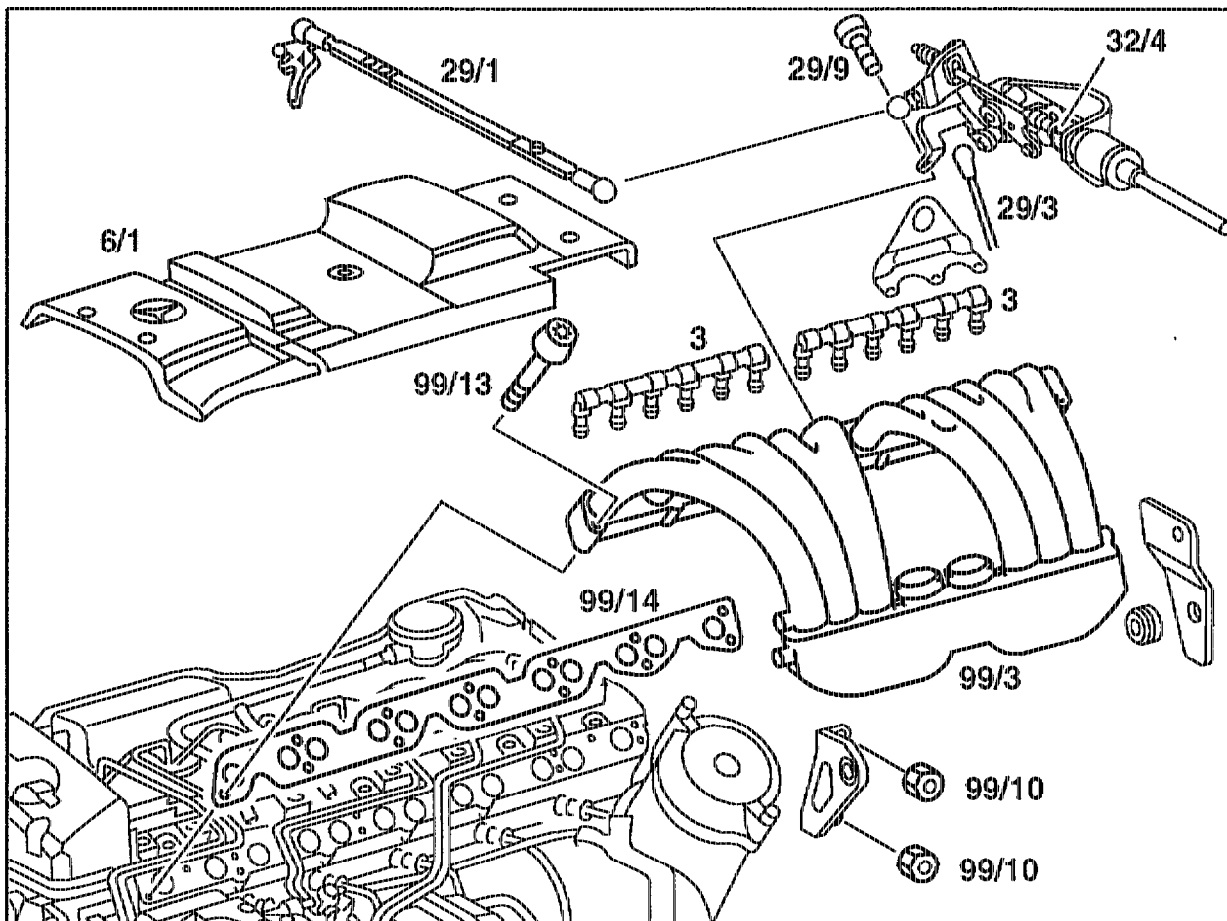


14-1961 Removing and installing resonance intake manifold, replacing gasket

Preceding work:
 Removing and installing resonance intake line (14-1984).

Operation no. of operation texts and work units or standard texts and flat rates:
 14-1961


Engine 606.910



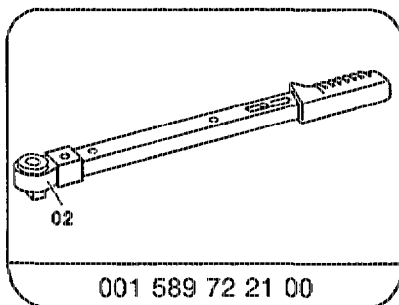
P14-5145-57

- | | |
|---|--|
| Connecting rod (29/1) to vacuum control flap at accelerator control linkage | detach, attach. |
| Connecting rod (29/3) to injection pump at accelerator control linkage | detach, attach. |
| Plastic clip (32/4) | compress and pull together with Bowden cable out of accelerator control lever bracket, press in. |
| Vehicles with automatic transmission | |
| Control pressure cable | detach, attach. |

All models

Bolts (29/9) of accelerator control bracket	unscrew, place accelerator control to the side, screw in.
Cable duct cover (6/1) of cylinder head cover . . .	take off, fit on.
Crankcase ventilation (3)	pull off, fit on.
Nuts (99/10) at bracket of resonance intake manifold	unscrew, screw on.
Bracket of cable duct at resonance intake manifold	take off, fit on.
Bolts (99/13) of resonance intake manifold	unscrew, screw in. Tightening torque 20 Nm.
Electrical connections and vacuum lines at resonance intake manifold	detach, fit on. Raise resonance intake manifold for this step, fit on.
Resonance intake manifold (99/3)	Note Pay attention to connection of vacuum lines (07.1-0005). take off, clean, fit on.
Gasket (99/14)	 When installing, ensure that none of the vacuum lines and electric wiring is jammed in between. replace.
Leaks at all connection points	check with engine running.

Special tool



Notes

Conversion to self-tapping screws for attaching cylinder head cover trim panel to cylinder head cover.

Production breakpoint: as of December 1993

Model	Engine	Engine end no. manual transmission	Engine end no. automatic transmission
124.131/191	606.910	003268	005094

Gasket of resonance intake manifold modified.

Production breakpoint: as of January 1996

Model	Engine	Engine end no. manual transmission	Engine end no. automatic transmission
124.131/191	606.910	010411	021946