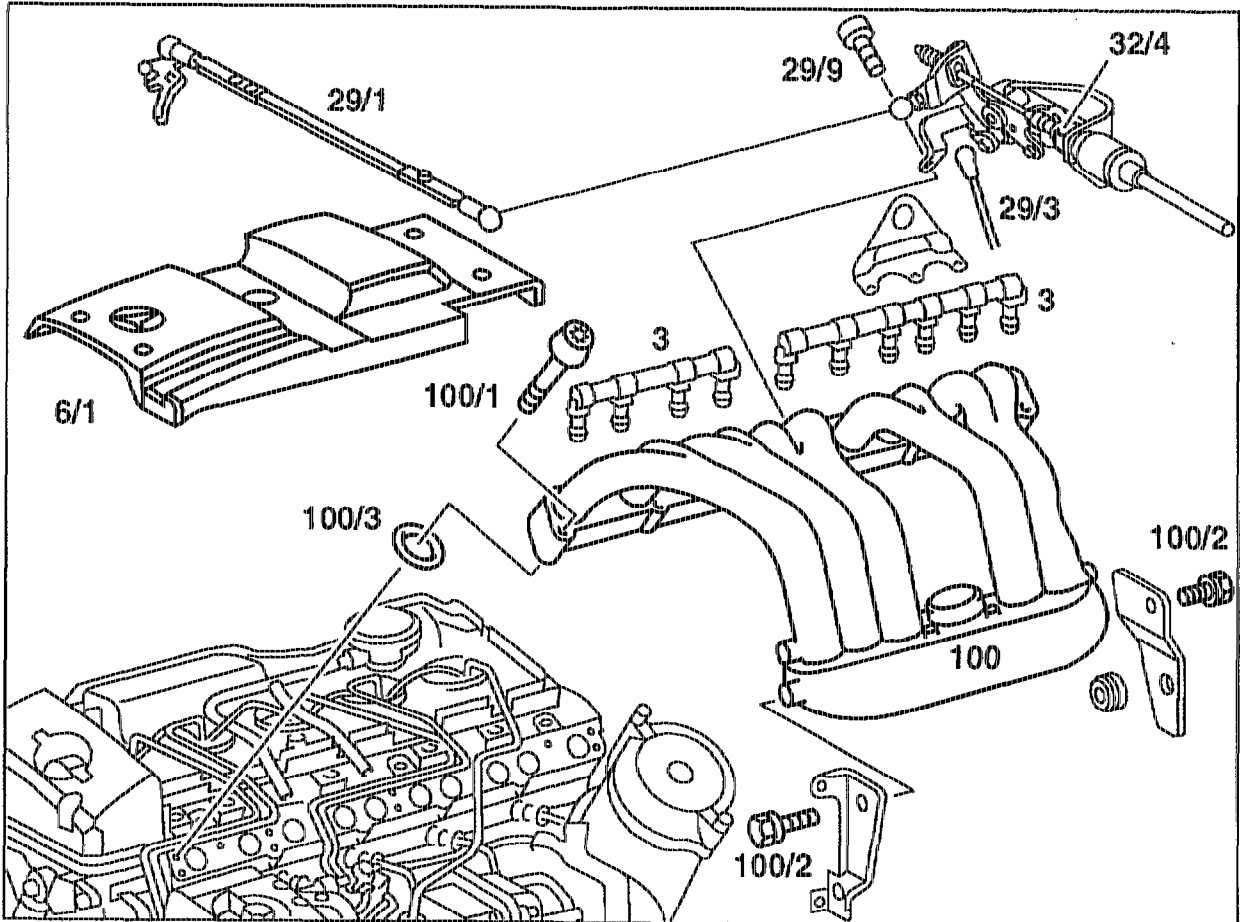


14-1310 Removing and installing intake manifold, replacing gasket

Preceding work:
Removing and installing air cleaner cross pipe (09-8031).

Operation no. of operation texts and work units or standard texts
and flat rates:
14-1310

Engine 605.911



P14-5146-57

Connecting rod (29/1) to vacuum control flap
at accelerator control linkage

detach, attach.

Connecting rod (29/3) to injection pump at
accelerator control linkage

detach, attach.

Plastic clip (32/4)

compress and pull together with Bowden cable
out of accelerator control lever bracket, press
in.

Vehicles with automatic transmission

Control pressure cable

detach, attach.

All models

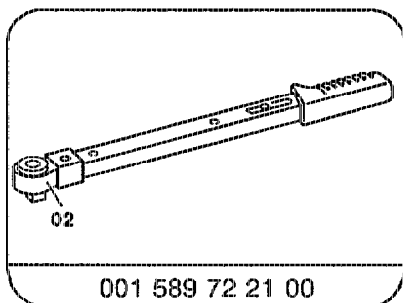
- Bolts (29/9) of accelerator control bracket unscrew, place accelerator control to the side, screw in.

- Cable duct cover (6/1) of cylinder head cover . . . take off, fit on.
- Crankcase ventilation (3) detach, fit on.
- Bolts (100/2) on both sides of intake manifold bracket unscrew, screw in.
- Bolts (100/1) of intake manifold unscrew, screw in.
Tightening torque 20 Nm.

- Intake manifold (100) take off, clean, fit on.

- ⚠
- O-rings (100/3) replace.
- Leaks at all connection points check with engine running.

Special tool



Note

Conversion to self-tapping screws for attaching cylinder head cover trim panel to cylinder head cover.

Production breakpoint: as of December 1993

Model	Engine	Engine end no. manual transmission	Engine end no. automatic transmission
124.104/107/126/129/ 186	605.911	011162	003654
124.131/191	606.910	003268	005094