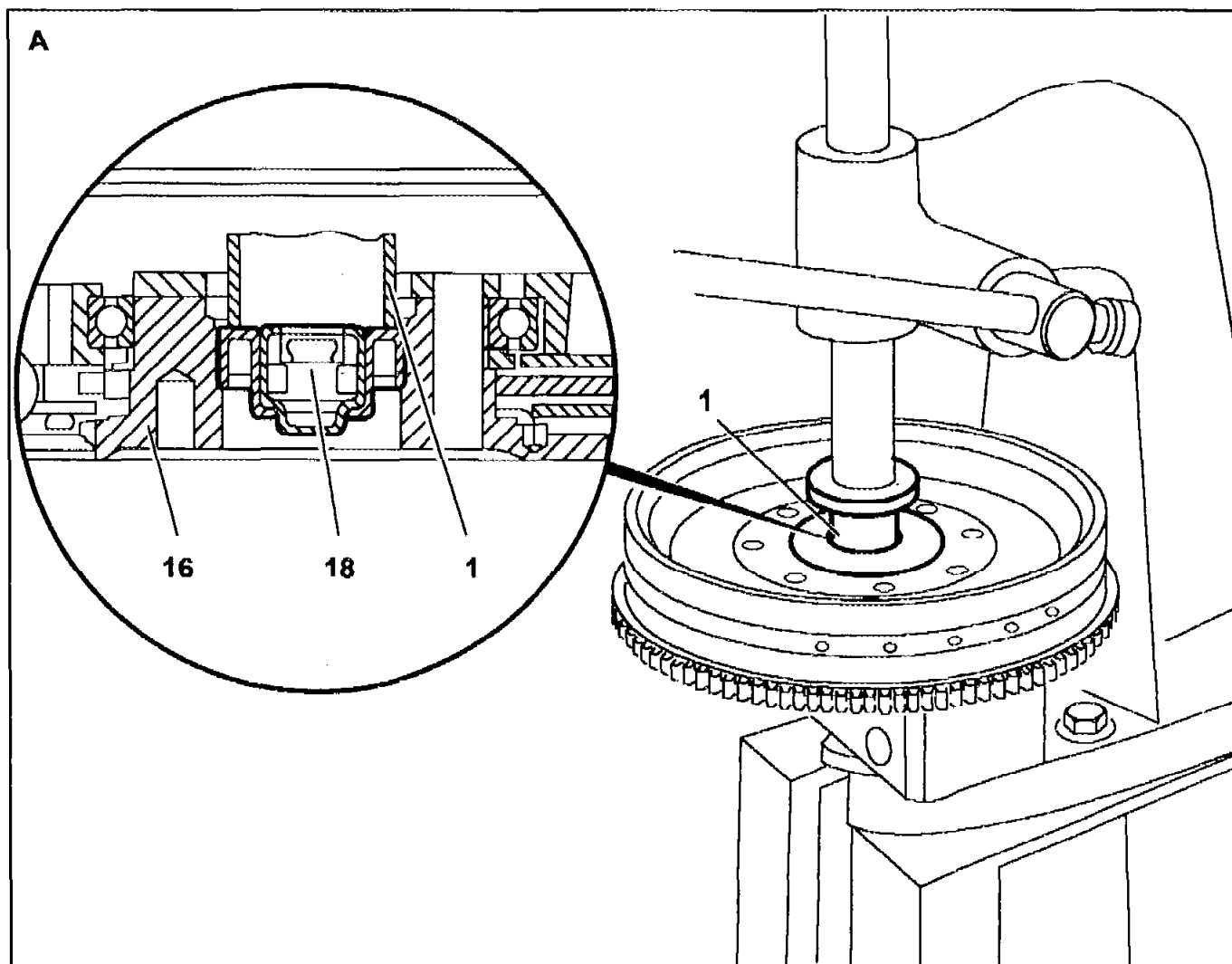
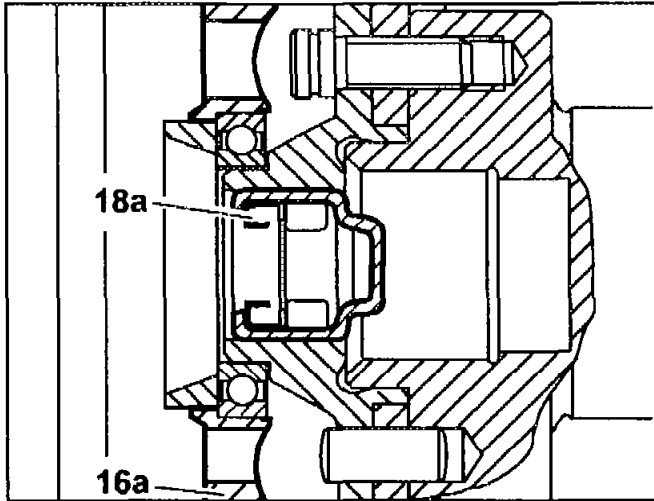


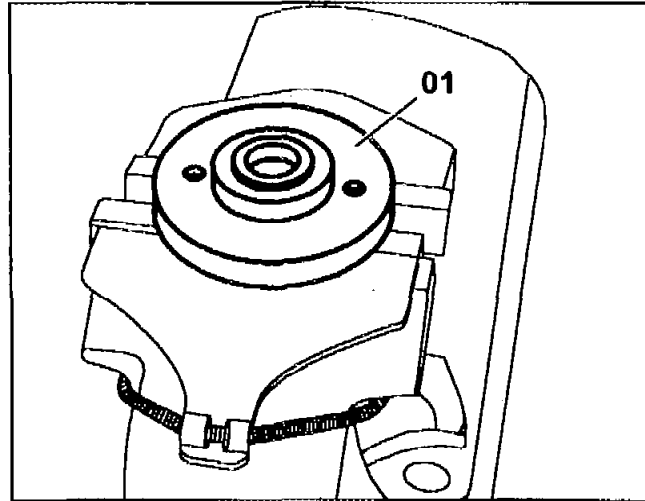
**N6**

AR03.30-P-8400A

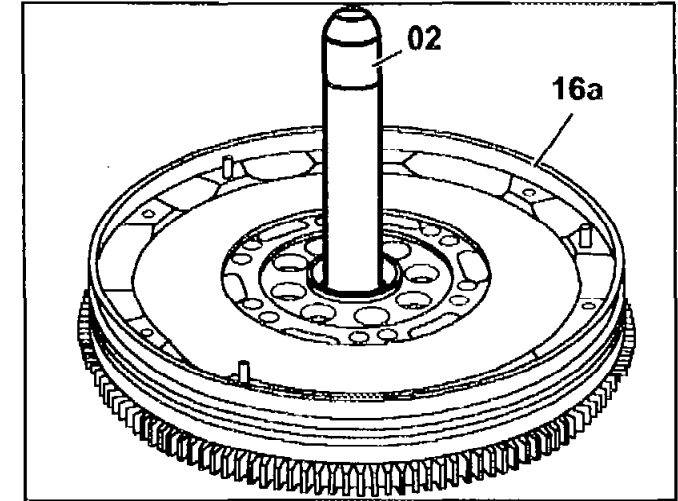
**Removing, installing needle bush in two-mass flywheel****1.6.95****ENGINE 111, 602.982, 605, 606 with TRANSMISSION 717****A Needle bush (18) 1st version**



P03.30-0276-01





P03.30-0277-01



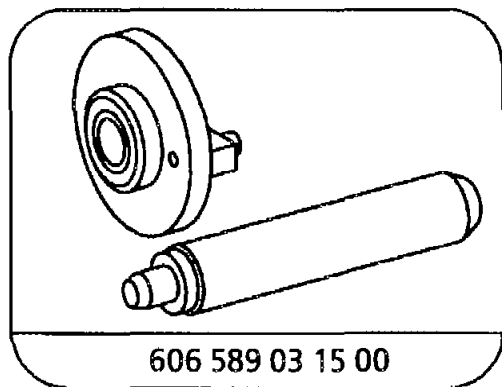
P03.30-0278-01

**B Needle bush (18a) 2nd version (sheet metal two-mass flywheel)**

 	<b>Removal, installation</b>		
1	Remove manual transmission		AR26.10-P-0020A
2	Remove clutch		AR25.10-P-0050A
3	Remove two-mass flywheel (16, 16a)		AR03.30-P-8001HA <b>P5</b>
4.1	Replace needle bush (18) of two-mass flywheel (16) (1st version)	Use a press to remove needle bush (18). <b>i</b> <b>Installation:</b> use 45 mm Ø sleeve (1) to press in new needle bush (18) at the outer race until it is fully home. The needle bush (18) must be tightly inserted in the two-mass flywheel (16).	



4.2	Replace needle bush (18a) of sheet metal two-mass flywheel (16a) (2nd version)	Use a press to force out needle bush (18). <b>i</b> <b>Installation:</b> clamp base (01) in a vice. Fit on two-mass flywheel (16a) as far as base (01). Use a drift (02) to knock new needle bush (18a) into two-mass flywheel (16a) as far as a stop. <b>S</b>	606 589 03 15 00
5	Install in the reverse order		



Insertion tool