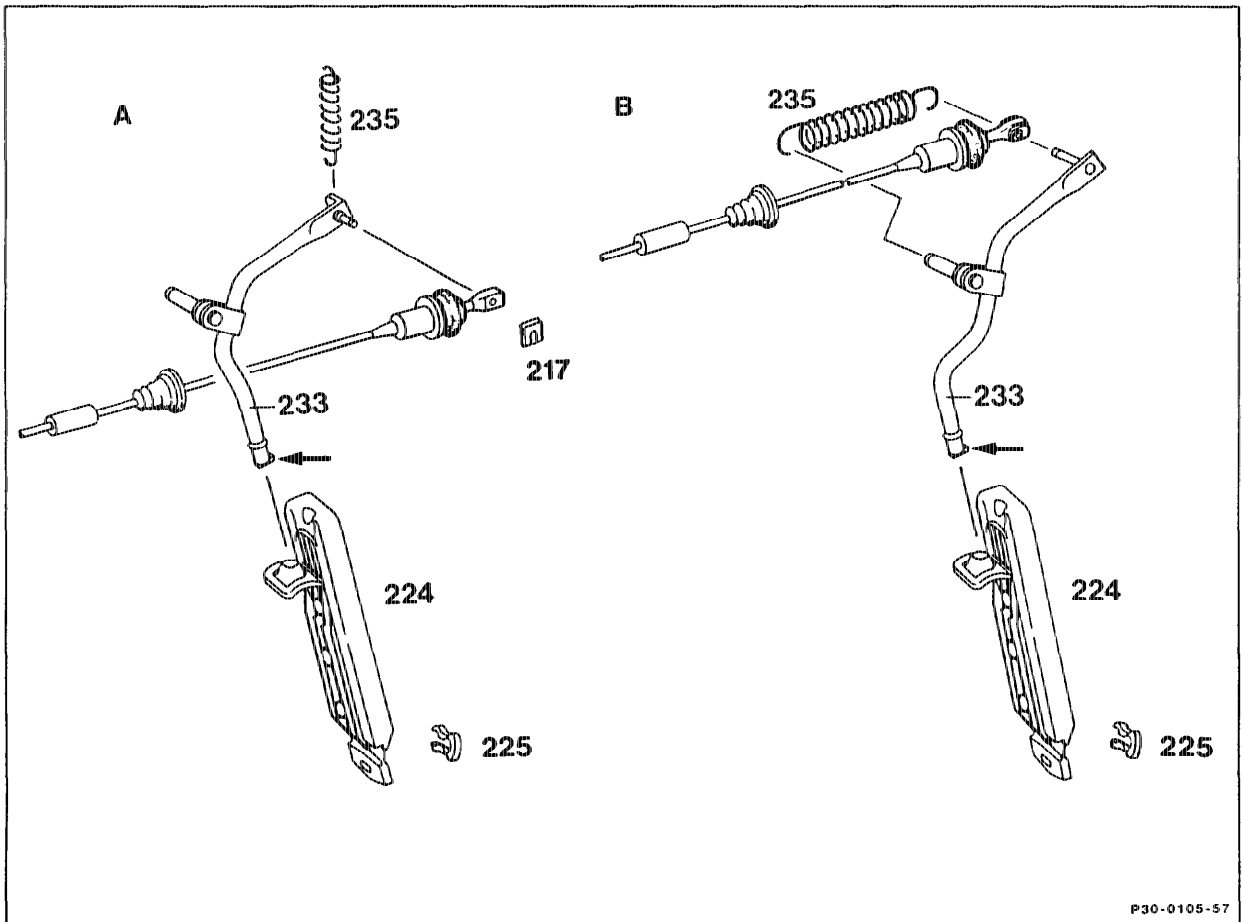


30-1321 Removing and Installing Accelerator Pedal

Preceding work:

Operation no. of operation texts and work units or standard texts and flat rates: 30-1321

A. Models 124, 126, 201



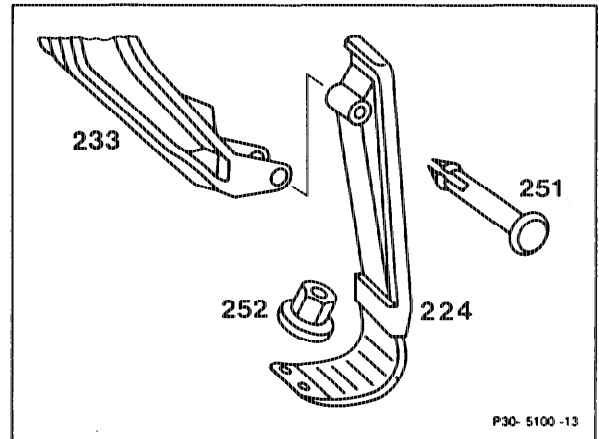
A Model 201
B Model 124

Spreader clip (225)	compress behind accelerator pedal and withdraw.
Accelerator pedal (224)	push upwards and turn through 180°, then withdraw downwards. This aligns the lug (arrow) on the accelerator pedal lever (233) with the slot in the accelerator pedal.
Accelerator pedal lever (233)	remove, install.
Return spring (235)	detach, attach.

Note

Removing and installing the accelerator pedal on Model 126 is identical to that for Models 124, 201. The link from the accelerator lever to the accelerator pedal is maintenance-free and does not need to be greased.

B. Model 140



- | | |
|-----------------------------------|--|
| Spreader bolt (251) | press out of accelerator pedal lever (233), push in. |
| Nuts (252) | unscrew, screw on. |
| Accelerator pedal (224) | take off, insert. |