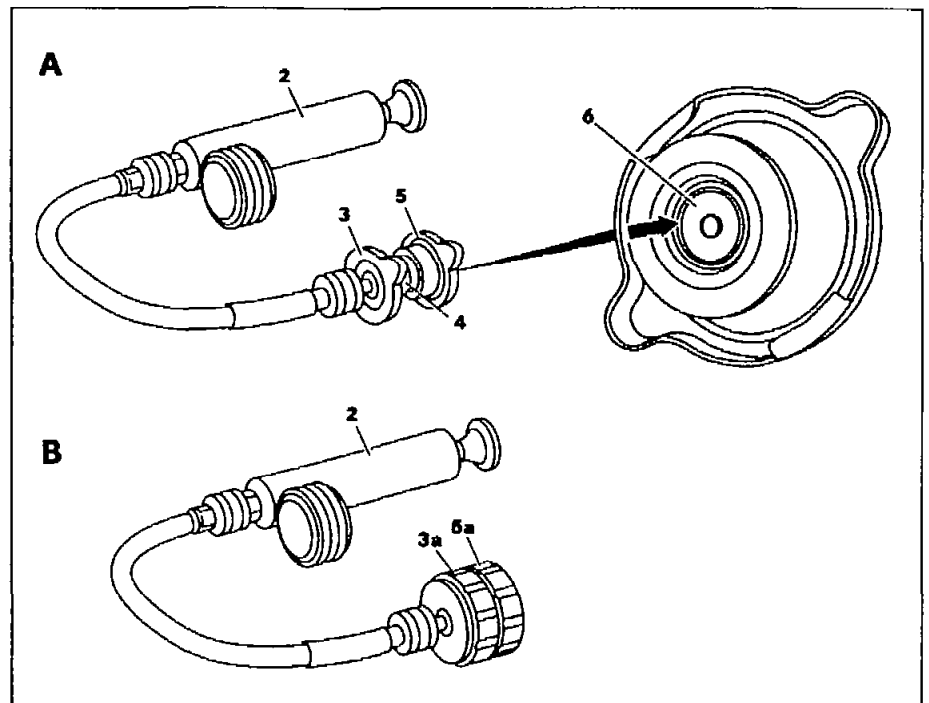


ENGINE 111, 120, 601, 602, 603, 604, 605, 606 /

A Testing cap with detent

B Testing 2-stage cap



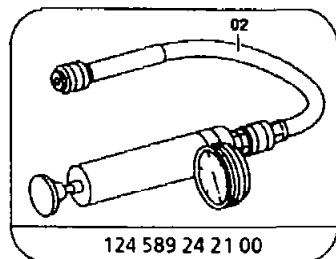
P20.30-0223-06

🔧 📄	Removing, installing		
1	The cooling system cap in model 163 cannot be tested; it should be replaced if necessary		
1	Open cooling system cap (5, 5a)	<p>1 Cap (5, 5a)</p> <p>Cap with detent: carefully turn cap to the first detent, release pressure, and then unscrew cap.</p> <p>2-stage cap: turn cap half a turn anti-clockwise, release pressure, and then unscrew cap.</p>	
4	Testing cooling system cap with detent		
2.1	Inspect cap (5) for corrosion	Ⓟ Replace if corrosion present	
3.1	Attach test cap (3) and double union (4) to tester (2)	<p>☑ Tester (2)</p> <p>☑ Test cap (3)</p> <p>☑ Double union (4)</p>	<p>124 589 24 21 00</p> <p>124 589 00 91 00</p> <p>000 589 77 63 00</p>
4.1	Screw cap (5) with detent onto double union (4)		

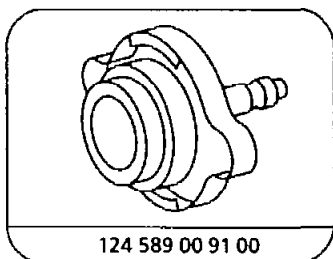
5.1	Test pressure relief valve	Determine opening pressure of the cap (5) by pumping; replace cap (5) if necessary. <input type="checkbox"/> As of 02/1986 the opening pressure of the cap has been increased from the previous 1.2 bar to 1.4 bar; consequently, the permissible coolant temperature is increased from 125 to 129 °C with standard antifreeze protection down to –30 °C.	BE20.30-P-1001-01A
6.1	Test vacuum valve (6)	If cap (5) fitted: the vacuum valve (6) should be resting against the rubber seal (arrow), it can be raised easily and springs back when released.	BE20.30-P-1003-01A
<input type="checkbox"/>	Testing 2-stage cap		
7.1	Attach test cap (3a) to tester (2)	<input checked="" type="checkbox"/> Tester (2) <input checked="" type="checkbox"/> Test cap (3a)	124 589 24 21 00 210 589 00 91 00
8.1	Screw on 2-stage cap (5a) at test cap (3a)		
9.1	Test pressure relief valve	Determine opening pressure of the cap (5a) by pumping; replace cap (5a) if necessary. Function see ↓ Function of 2-stage cooling system cap	BE20.30-P-1004-01A GF20.30-P-1000A
10	Install in the reverse order		

#### Radiator or expansion reservoir cap

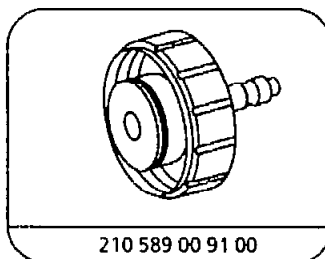
Number	Designation	Cap	2-stage cap
BE20.30-P-1001-01A	Cap code number	140	140/200
BE20.30-P-1002-01A	Pressure relief valve opens	new bar gage	1.4+0.1
		used bar gage	1.4–0.1
BE20.30-P-1003-01A	Vacuum valve opens (reference value)	bar vacuum	0.1
BE20.30-P-1004-01A	Pressure relief valve opens	1st stage bar gage	–
		coolant temp.	–
	2nd stage	bar gage	–
		coolant temp.	–
BE20.30-P-1005-01A	Test pressure for pressure-testing the cooling system	bar gage	1.4



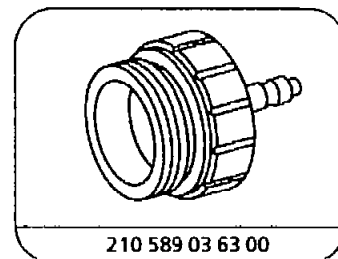
Tester



Test cap

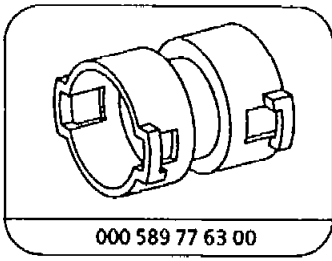


Test cap



Adapter





000 589 77 63 00

Adapter