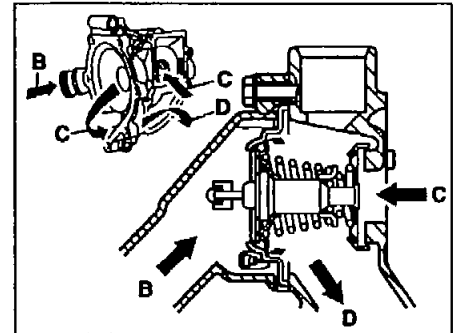


ENGINE 601, 602, 603 (except, 602.982)

At coolant temperatures of more than approx. 100 °C the main valve is fully open.
The bypass passage (C) is sealed off by the bypass disk. The entire quantity of coolant has to flow through the radiator.

The cooling system is bled automatically through the ball valve in the coolant thermostat when it is filled during engine operation.



P20.00-0409-01

- B From radiator
- C From crankcase
- D To crankcase

GF	Construction state description	ENGINE 601.91, 602.91, 603.91 (except 601.913) ENGINE 602.96, 603.96 /97 ENGINE 601.913 in MODEL 202	GF20.00-P-1101A GF20.00-P-1101A GF20.00-P-1101B GF20.00-P-1101B GF20.00-P-1101C GF20.00-P-1101C