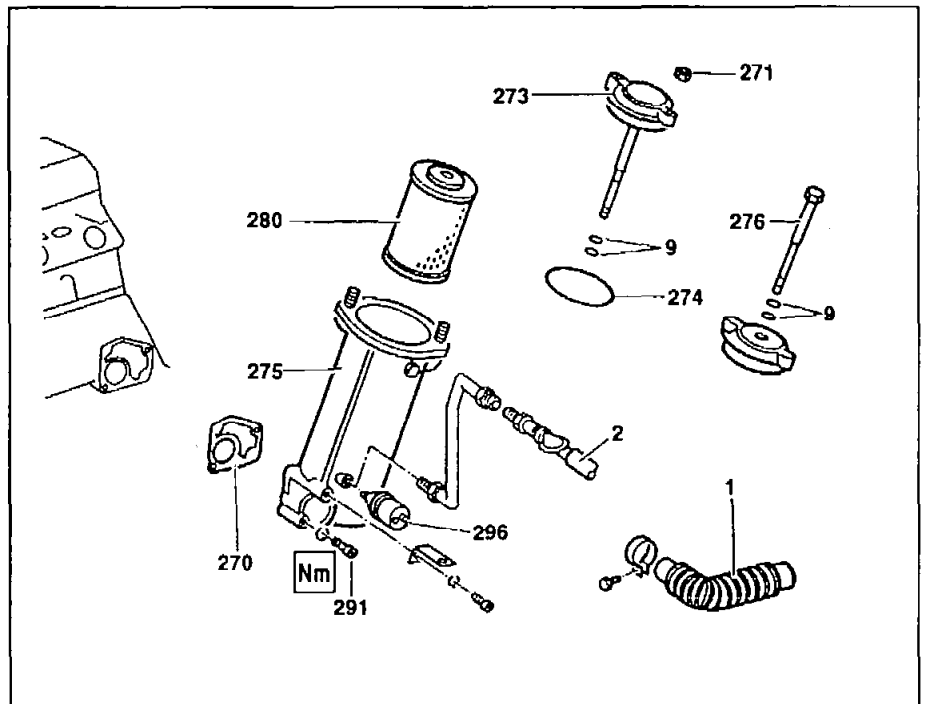


ENGINE 601 in MODEL 124, 201, 202

ENGINE 602 in MODEL 124, 201



ENGINE 603 in MODEL 124, 126, 140

- 1 Exhaust gas recirculation line on models with EGR  
 2 Engine oil pressure gage line  
 601.911  
 9 Seals  
 270 Gasket  
 271 Oil filter cap nut  
 273 Oil filter cap  
 275 Oil filter housing  
 280 Oil filter insert  
 296 Oil pressure sensor



P18.20-0255-06

	Removing, installing		
1.1	Remove air cleaner	Only naturally aspirated engine	09-400
2.1	Remove intake manifold	Engine 601 in model 202	14-180
3.1	Hexagon nut (271) and oil filter cap	Engine 601, 602	BA18.20-P-1001-01A
4.1	Take off oil filter cap (273)	Engine 601, 602	
5.1	Take off gasket (274) and seals (9)	Engine 601, 602 Installation: Replace gasket and seals	
6.1	Unscrew return flow pipe (276) at oil filter cap	Engine 603 Installation: Replace seals (9)	BA18.20-P-1002-01A
7	Pull out oil filter element (280)		
8	Detach bracket or clamping washers for starter cable, heating return flow and vacuum line to oil filter housing		
9	Detach line (1) between exhaust gas recirculation and intake manifold or charge air distribution pipe from oil filter housing	Engine with exhaust gas recirculation except engine 601 in model 202	
10.1	Unbolt oil pressure line (2)	Engine 601.911	
11	Separate electrical connection from oil pressure sensor (296)		
12	Detach connection line from oil filter housing	If air-oil cooler fitted Installation: Replace seals	BA18.20-P-1006-01A

13	Unscrew hexagon socket bolt (291) at flange of oil filter housing		BA18.20-P-1004-01A
14	Take oil filter housing (275) off crankcase together with gasket (270)	 Seal bores for cleaning sealing surfaces at crankcase	
15	Clean sealing surfaces, replace gasket (270)		
16	Install in the reverse order		

 Engine lubrication, oil filter

Number	Designation		Engine 601, 602 except 602.98	Engine 603
BA18.20-P-1001-01A	Nut for attaching oil filter cap	Nm	25	25
BA18.20-P-1002-01A	Return flow pipe in oil filter cap	Nm	–	25
BA18.20-P-1004-01A	Bolt for attaching oil filter to crankcase	Nm	25	25
BA18.20-P-1006-01A	Oil line to oil filter housing	Nm	10	10