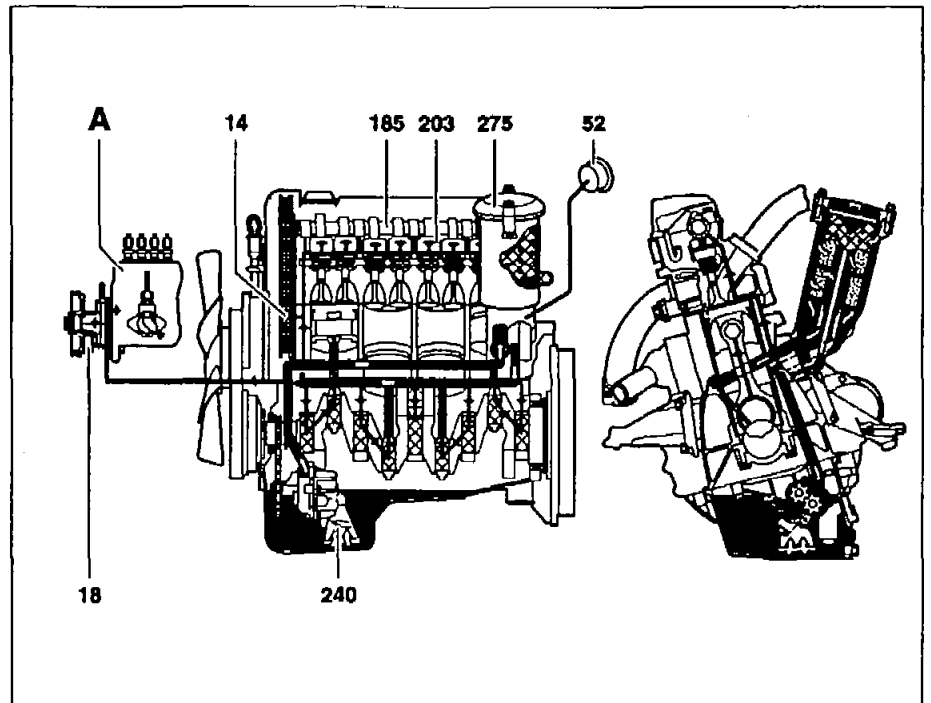


**ENGINE 601.91, 602.91, 603.91****A Position on engines 601.91, 603.91 standard**

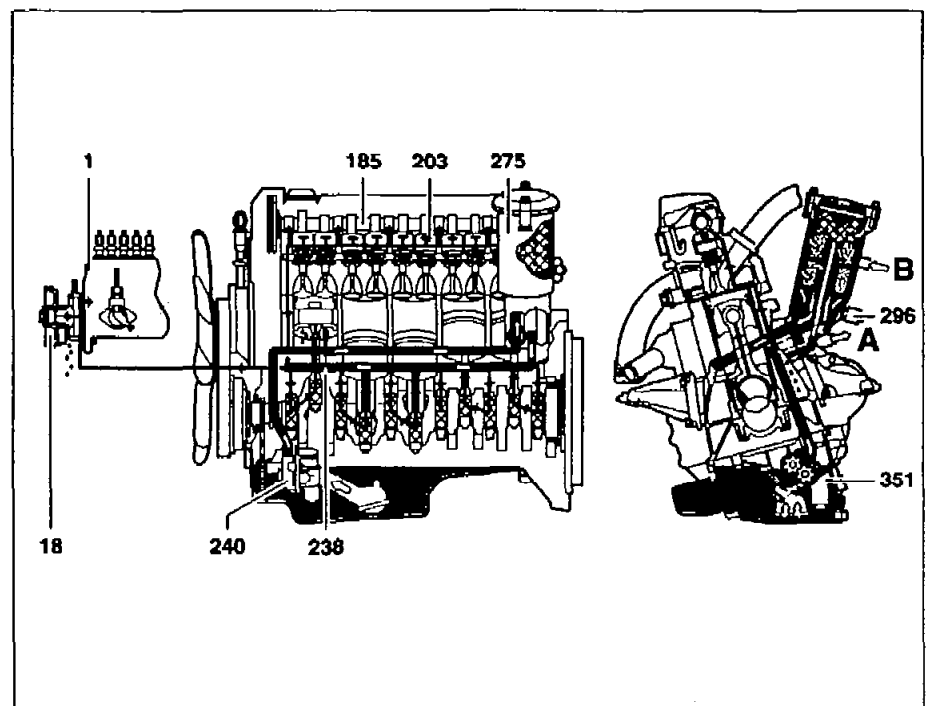
- 14 Oil spray nozzle
- 18 Injection timing
- 52 Oil pressure gage engine 601.911
- 185 Camshaft
- 203 Valve tappet
- 240 Oil pump
- 275 Oil filter

**A Injection pump**

P18.00-0400-06

**B Position on engines 601.91, 602.91, 603.91 with exhaust gas recirculation**

- 1 Injection pump
- 18 Injection timing
- 185 Camshaft
- 203 Valve tappet
- 238 Oil spray nozzle (piston crown cooling)
- 240 Oil pump
- 275 Oil filter
- 296 Oil pressure switch
- 351 Oil level sensor

**A Unfiltered oil to air-oil cooler****B Unfiltered oil from air-oil cooler**

P18.00-0401-06