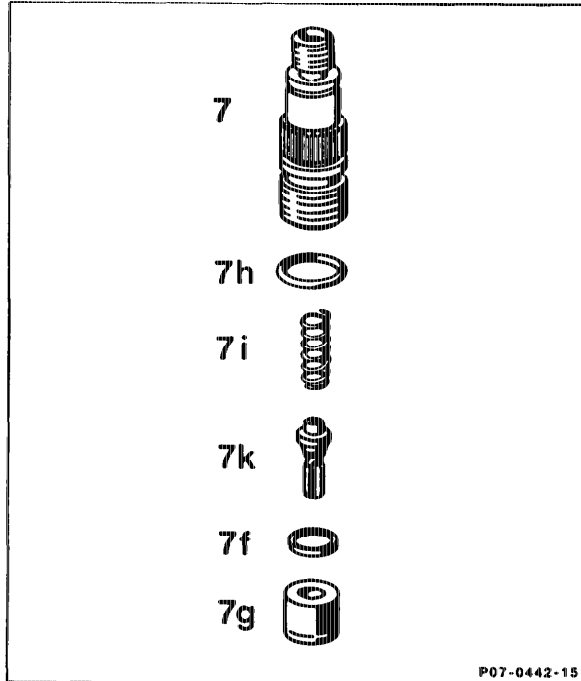


## 07.1-8627 Replacing Pressure Valve Seal

Operation no. of operation texts and work units or standard texts  
and flat rates: 07-8627



Pressure valve holder (7) .....	tightening torque 35 Nm, special tool 617 589 01 09 00.
Compression spring (7i), copper seal (7f) .....	renew.
Pressure valve (7k) .....	rinse in fuel before installing.
Pressure valve carrier (7g) .....	pay attention to installed position.
O-ring (7h) .....	oil before assembling.

### Special tool

