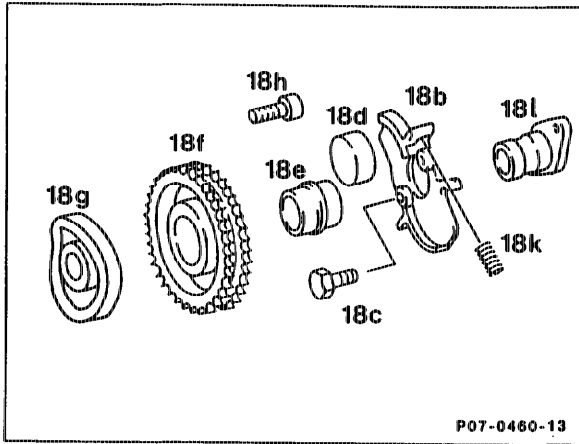


07.1-8050 Servicing Timing Device

Preceding work:
Removing and installing timing device (07.1-8014).

Operation no. of operation texts and work units or standard texts
and flat rates: 07-8050



Bolts (18h)	M6 × 16, remove and install. Tightening torque 15 Nm.
Drive hub (18l)	remove, install.
Bolts (18c)	M8 × 16, remove and install. Tightening torque 25 Nm.
Cam (18g)	examine for signs of wear.
Sprocket wheel (18f)	examine for signs of wear.
Bush (18e)	remove, install, examine for signs of wear.
Segment flange (18b)	examine for signs of wear.
Compression springs (18k)	remove, install.
Flyweight (18d)	M8 × 16, remove, install, examine for signs of wear.