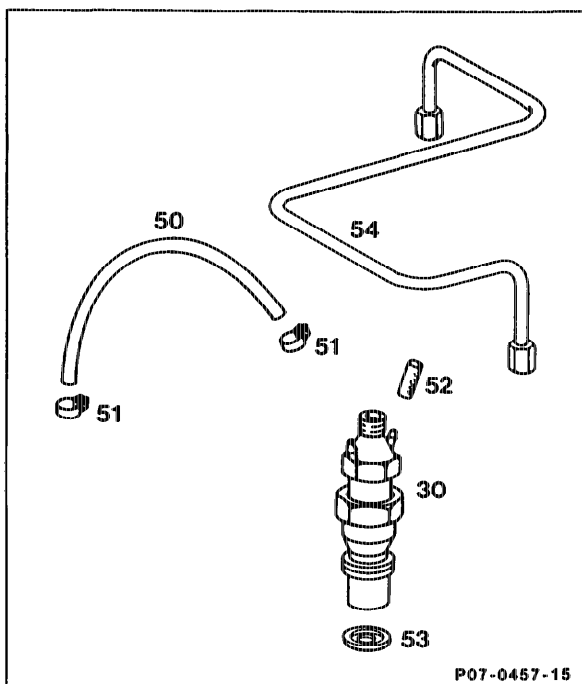


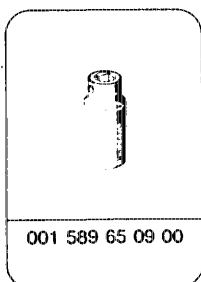
07.1-6810 Removing and Installing Injection Nozzle

Operation no. of operation texts and work units or standard texts
and flat rates: 07-6810



Hose clip (S only) (51)	open, close.
Leak oil hose (50), plug (52)	remove, fit on.
Injection line (54)	remove, install, tightening torque 10–20 Nm as reference value.
Injection nozzle (30)	remove, install, tightening torque 70–80 Nm, Special tool 001 589 65 09 00.
Nozzle shim (53)	renew.

Special tool



Engines 602.961/962, 603.960/963/971
 Standardization of brackets for injection pipes
 (reduction of versions)

Production breakpoint: as of April 1993

Model	Engine	Engine end no. Manual transmission	Engine end no. Automatic transmission
124.128/188	602.962	028738	018286
124.133/193	603.960	-	047670
124.333/393	603.963	-	004081
140.134	603.971	-	003939
201.128	602.961	009972	011507

Engines 602.961/962, 603.960/963/971
 Brackets for injection pipes cylinders 1-3 made
 of modified material (PA46, was POM 906).

Production breakpoint: as of June 1993

Model	Engine	Engine end no. Manual transmission	Engine end no. Automatic transmission
124.128/188	602.962	029695	018701
124.133/193	603.960	-	048187
124.333/393	603.963	-	004104
140.134	603.971	-	004990
201.128	602.961	010047	011552

Engine 602.962, 603.960/963/971

Leak oil hose between nozzle holders modified.
Improved fitting security of hoses to connection
of bracket.

Production breakpoint: as of February 1994

Model	Engine	Engine end no. Manual transmission	Engine end no. Automatic transmission
124.128/188	602.962	031322	019608
124.133/193	603.960	-	050937
124.333/393	603.963	-	004317
140.134	603.971	-	009546