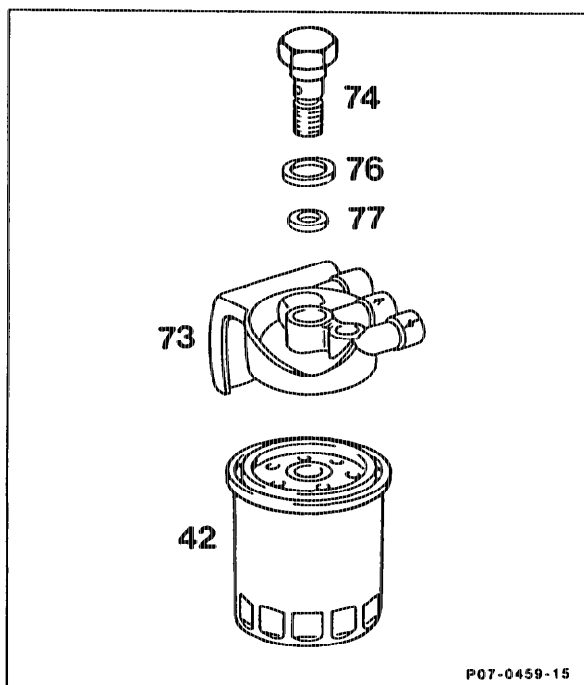


07.1-5563 Replacing Fuel Filter

Preceding work:

Operation no. of operation texts and work units or standard texts and flat rates: 07-5563



Bolt (74)	remove, install.
O-ring (76)	renew.
O-ring (77)	renew.
Filter (42)	withdraw downwards, renew.
Fuel filter top section (73)	check that restriction orifice 0.8 mm (on return line) is clear.
Leakage	check (with engine running).

Note

When the engine is started, the fuel system is bled automatically as a result of the high delivery of the fuel pump and the restriction orifices in the top section of the filter as well as at the injection pump.

Engines 602.962, 603.960/963/971

Fuel filter modified. Standard filter box for end line pump and distributor pump.

Production breakpoint: as of March 1994

Model	Engine	Engine end no.	
		Manual transmission	Automatic transmission
124.128/188	602.962	031443	019673
124.133/193	603.960	-	051149
124.333/393	603.963	-	004341
140.134	603.971	-	009864