

## A. Key to code

e. g. **PES 5 M 55 C 320 RS 158/1**

<b>P</b>	<b>Pump</b>
<b>E</b>	<b>Self-driven</b>
<b>S</b>	<b>Face flange mounting</b>
<b>5</b>	<b>Number of cylinders</b>
<b>M</b>	<b>Pump size</b>
<b>55</b>	<b>Element diameter in 1/10 mm</b>
<b>C</b>	<b>Modification code letter</b>
<b>320</b>	<b>Installation index</b>
<b>R</b>	<b>Direction of rotation</b>
<b>S158/1</b>	<b>Special version</b>

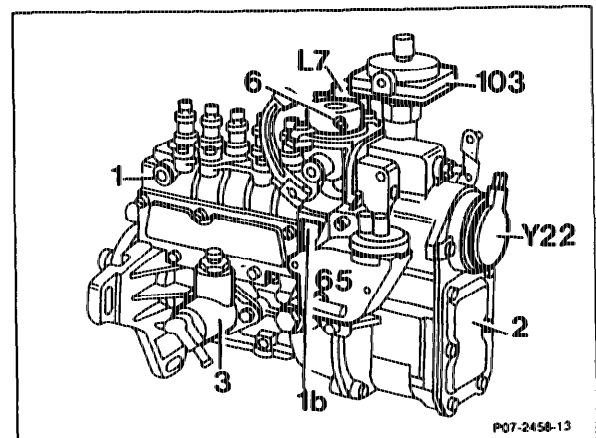
### **RSF**

<b>R</b>	<b>Governor</b>
<b>S</b>	<b>Helical spring</b>
<b>F</b>	<b>Drive control</b>

## B. Location of components on Injection pump

Location of components with ELR

1	Injection pump
1b	Type plate
2	Governor
3	Fuel pump
6	Stop unit
65	Vacuum control valve
103	ALDA unit
Y22	ELR actuator
L7	Control rod travel sensor (connector not operational with cap closed)



P07-2458-13

Location of components with ELR and ARA

- 1 Injection pump
- 2 Governor
- 3 Fuel pump
- 6 Stop unit
- 103 ALDA unit
- L7 Control rod travel sensor,
  - (A) only, as of model year 1992
  - (A) (FIN) basic version Code 62/0
- Y22 ELR actuator
- Y22/3 ARA actuator

