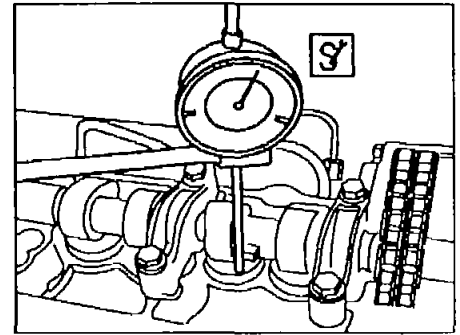


ENGINE 601, 602, 603 (except, 602.982)



P05.20-0338-01

		Removing, installing	
1		Remove cylinder head cover	
2		Remove injection nozzles	Naturally aspirated engine 07.1-230 Turbo engine 07.1-6810
3.1		Remove viscous fan clutch	Engine 601 in model 202 AR20.40-P-5660HA Engine 601, 602 in model 124, 201 AR20.40-P-5660HW Engine 603 in model 124, 126, 140
4.1		Remove fan	Engines with magnetic fan clutch 20-330
5		Attach dial gage holder to inlet valve of cylinder 1 and mount dial gage on valve tappet with prestress of 3 mm	 363 589 02 21 00 001 589 53 21 00
		Inspecting	
6		Rotate engine in direction of rotation until a valve lift of 2 mm is indicated	 Engine must not be rotated at the camshaft. Do not crank engine back during the measurement otherwise errors will occur. In this position, the marking on the vibration damper, see table (inlet valve opens after TDC), should be aligned with the TDC pointer on the timing case cover. If a difference of more than 4° CRA exists, replace the timing chain. ↓ Replacing timing chain Camshaft marking Camshaft code number BE05.20-P-1001-02C AR05.10-P-7601HX AR05.10-P-7601HX AH05.20-P-6992-03HB AR05.20-P-6015HW/2 BE05.20-P-1001-01C

Camshaft code numbers

Number	Designation	Engine 601.911/912/921 up to 10/84	Engine 601.911/912/921 as of 11/84 up to 10/88	Engine 601.911/912/921 as of 11/88	Engine 601.913
BE05.20-P-1001-01C	Camshaft code numbers	05	06	10	13

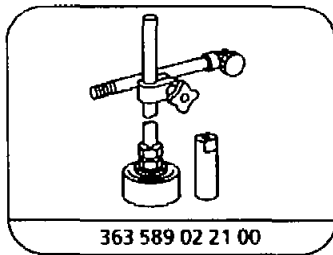


Camshaft code numbers

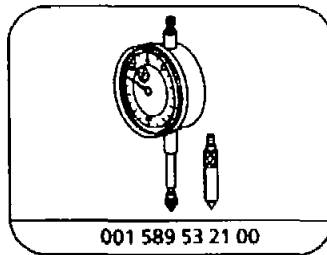
Number	Designation	Engine 602.911/ 912/961/962, 603 bis 10/88	Engine 602.911/ 912/961/962, 603 as of 11/88
BE05.20-P-1001-01C	Camshaft code numbers	07	11

Test data of valve timing

Number	Designation	Engine 601 except 601.913, 602 except 602.982, 603	Engine 601.913		
BE05.20-P-1001-02C	Timing inlet valve/exhaust valve at 2 mm valve lift and used timing chain	Inlet valve	opens after TDC °CRA	12	12
		Inlet valve	closes after BDC °CRA	17	12
		Exhaust valve	opens before BDC °CRA	28	21
		Exhaust valve	closes before TDC °CRA	15	20



Dial gage holder

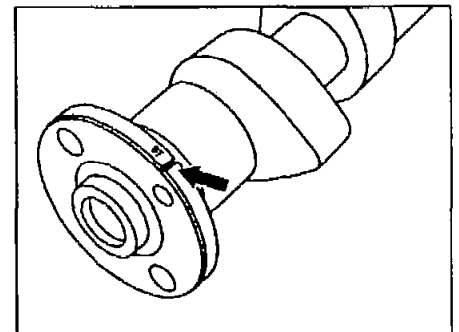


Dial gage

AH05.20-P-6992-03HB	Camshaft, code numbers and allocation	
---------------------	---------------------------------------	--

Camshaft code numbers

The code number is stamped on the flange next to the TDC notch (arrow).



P05.20-0341-01