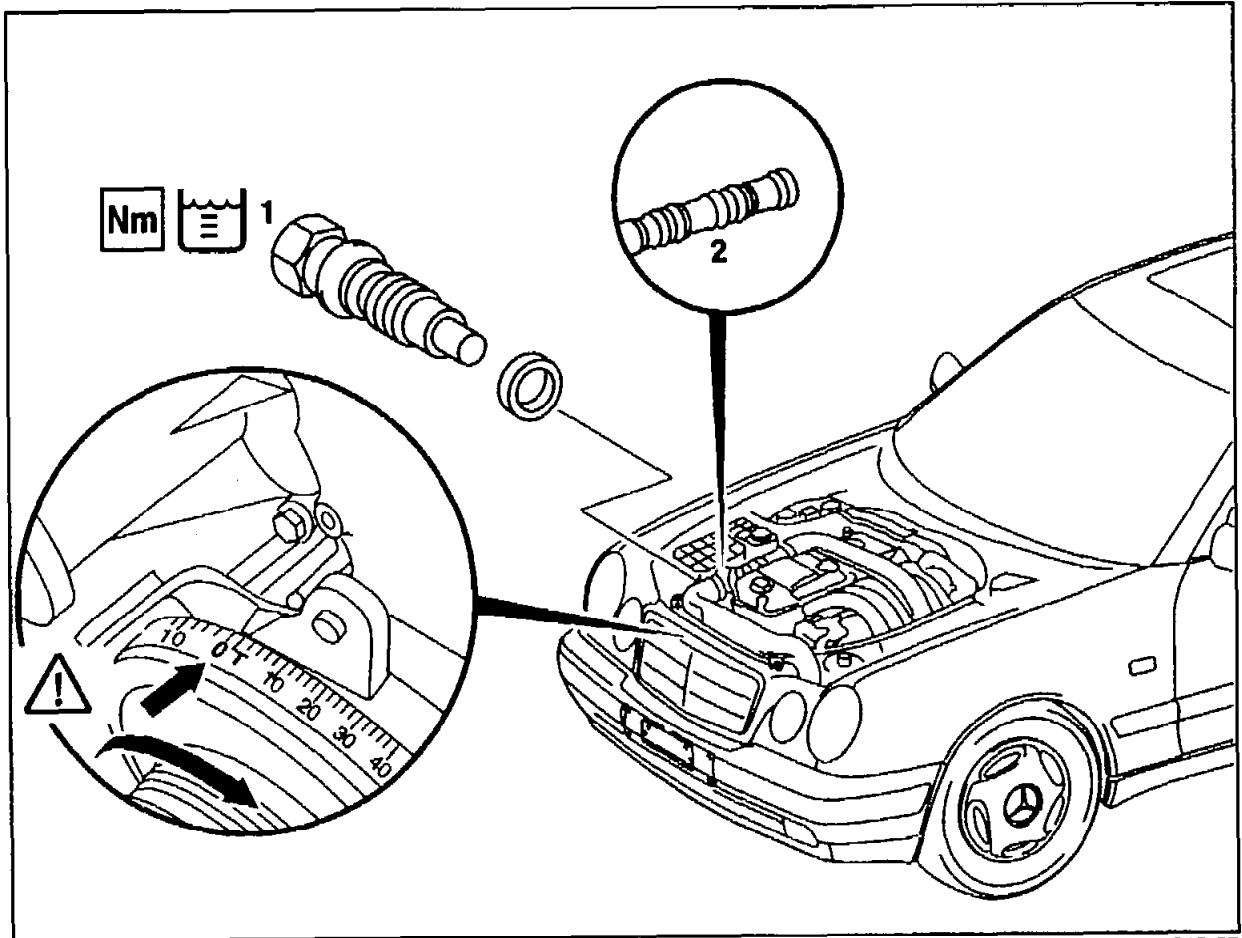


05-310 Removal and installation of chain tensioner

Operation no. of operation texts and work units or standard texts and flat rates
05-7800



P05.10-0245-57

Turbocharged engines: boost air hose (2) to
valve body

detach, attach.

Chain tensioner (1)

remove, install, 80 Nm.

Replace seal and install chain tensioner filled with SAE 10 engine oil.

Note

Chain tensioners which are the subject of problems should be replaced complete.

Filling chain tensloner with engine oil:

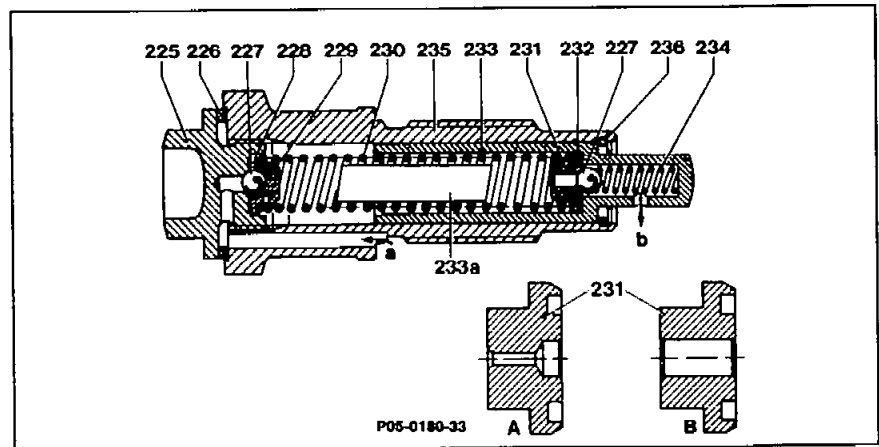
Place chain tensloner with the plunger bolt downwards in SAE engine oil until over the collar on the hexagon. Press plunger up to the stop 7 - 10 times slowly with the aid of a press or power drill.

It should be possible to compress the chain tensloner quite slowly, evenly and with little effort after filling with oil.

Note

A modified valve disk (231) has been installed in the chain tensloner since 08/84 in order to limit to peak pressures of the chain tensloner on the tensloner rail.

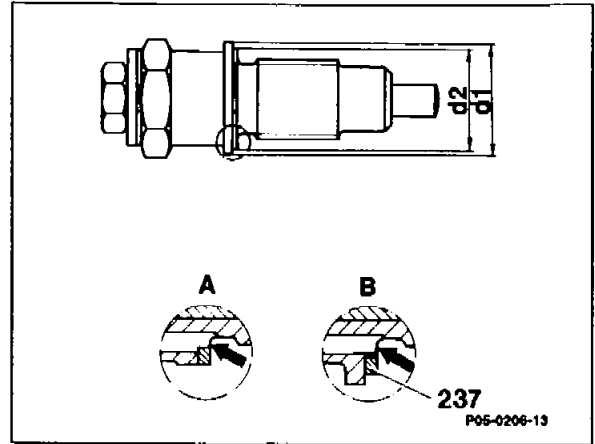
- 225 Sealing plug
- 226 Aluminium gasket A 25 x 30
- 227 5 mm dia. ball
- 228 Ball guide
- 229 Compression spring
- 230 Compression spring
- 231 Valve disk
- 232 O-ring
- 233 Plunger
- 233a Filler piece
- 234 Compression spring
- 235 Housing
- 236 B 16 snap ring
- a Supply bore from cylinder head
- b To oil pan
- A Former version
- B Current version



The outer diameter of the sealing surface on the chain tensioner housing has been enlarged by 2 mm since 07/87 making it necessary to install a sealing ring (237) with dimensions of 27 × 32 mm (previously 25 × 30).

This modification prevents the formation of burrs on the sealing ring (picture, circular cut-out) when tightening the chain tensioner.

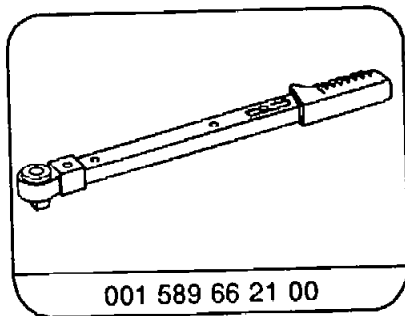
This chain tensioner can also be built into vehicles of earlier manufacture.



d 1 32 mm
d 2 27 mm

A Previous version
B Revised version

Special tool



Commercially available tools and testers

Designation	e.g. Make	Order no.
Socket hexagon with flexible shaft with wormdrive	Hazet	∅ 6 mm 426-6
	42853 Remscheid	∅ 7 mm 426-7