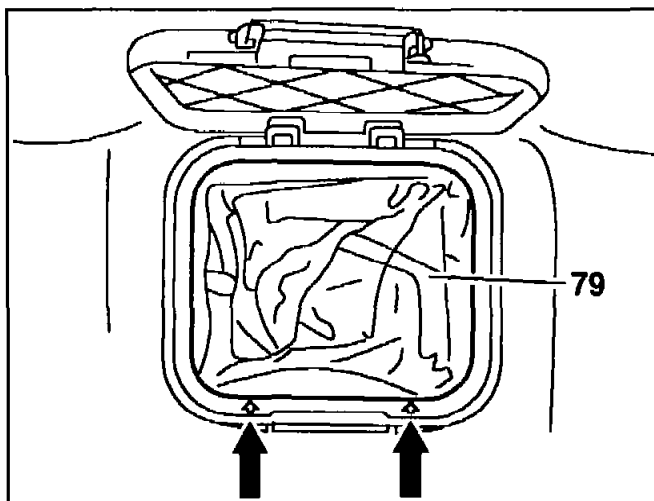


D3

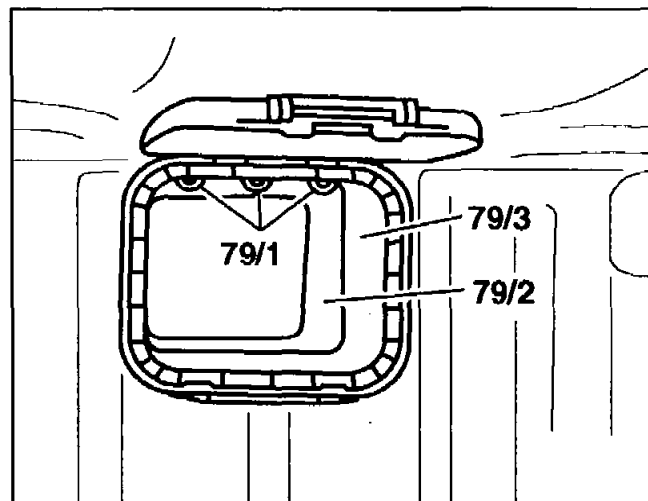
AR47.10-P-8021D

Removing and installing expansion reservoir

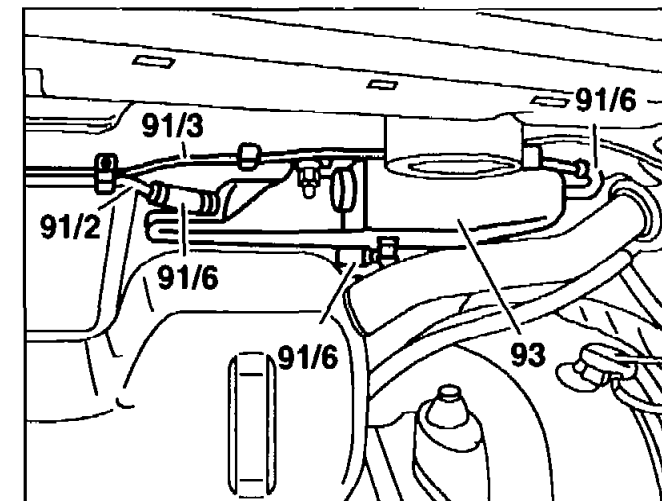
10.2.94

MODEL 140 with CODE (282a) ski bag (through-loading facility)


P47.10-0275-01



P47.10-0276-01



P47.10-0277-01

79 *Skibag*
 79/1 *Screws*
 79/2 *Skibag mount*

79/3 *Front mount*
 91/2 *Vent pipe*
 91/3 *Vent pipe*

91/6 *Fuel hoses*
 93 *Expansion reservoir*
 Arrows *Catches*

	Removal, installation		
Danger!	Risk of explosion from ignition. Risk of poisoning from inhaling and swallowing fuel. Risk of injury as a result of fuel coming into contact with skin and eyes.	No fire, naked flame or smoking. Pour fuels only into suitable and appropriately marked containers. Wear protective clothing when handling fuel.	AS47.00-Z-0001-01A



i	If fuel tank is full, pump out about 8 liters of fuel		
1	Release catches (arrows)		
2	Pull skibag (79) out of skibag mount		
3	Remove screws (79/1)		
4	Release skibag mount (79/2) from the front mount (79/3) and pull out		
5	Disconnect fuel hoses (91/6) from the fuel expansion reservoir (93)		
6	Pull out fuel expansion reservoir (94); unclip vent pipes (91/2, 91/3), if necessary	i Do not kink vent pipes	
7	Install in the reverse order		