

P1

AR47.10-P-4100FB

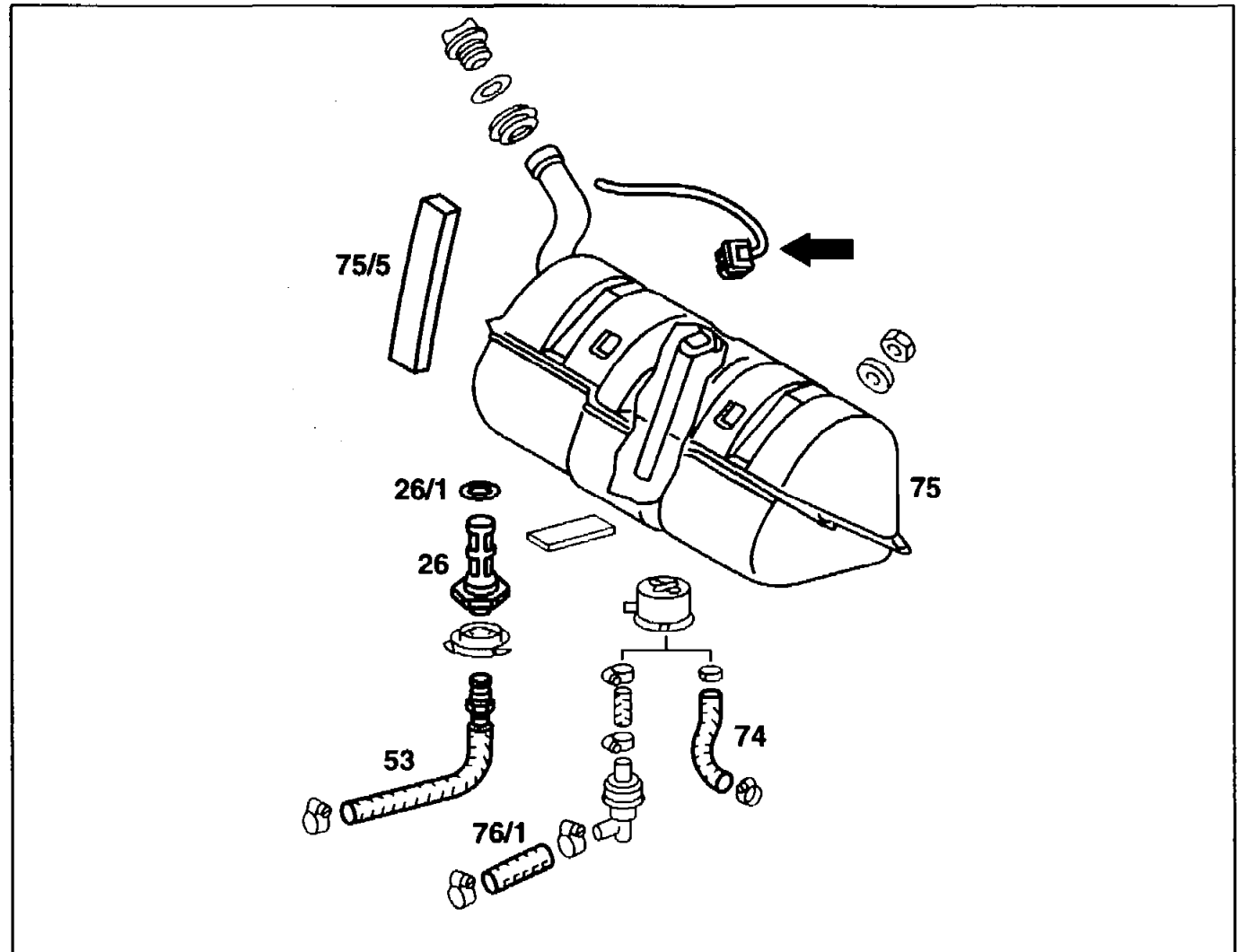
Removing and installing fuel tank

27.7.94

**MODEL 140**

Shown on MODEL 140.057/076 without  
CODE (282a) ski bag (through-loading  
facility)

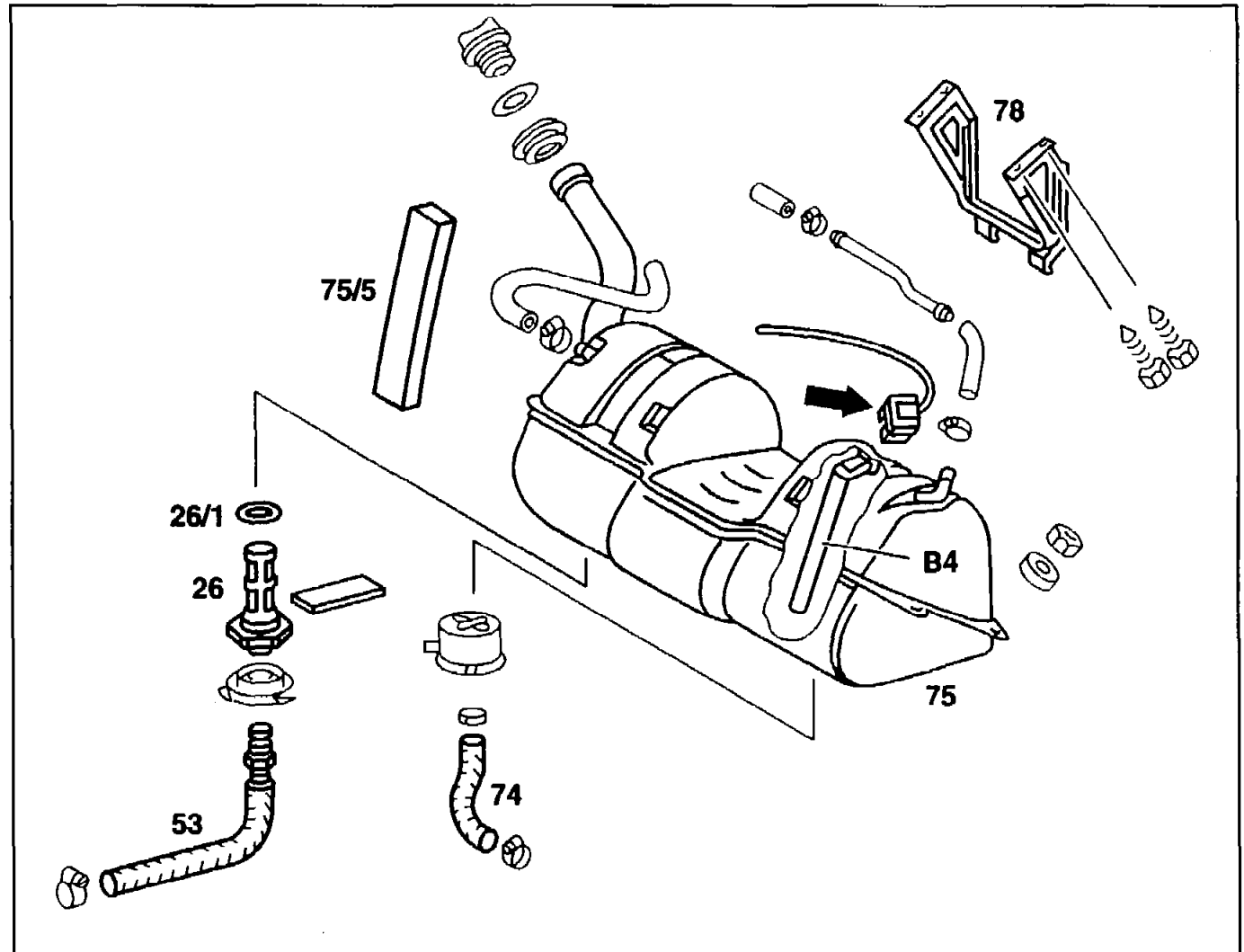
- 26 Fuel strainer
- 26/1 O-ring
- 53 Fuel hose at suction end with connection fitting
- 74 Return hose
- 75 Fuel tank
- 75/5 Sound-deadening strip
- 76/1 Vent pipe





**MODEL 140 with CODE (282a) ski bag  
(through-loading facility)**





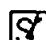
- 26 Fuel strainer
- 26/1 O-ring
- 53 Fuel hose at suction end with connection fitting
- 74 Return hose
- 75 Fuel tank
- 75/5 Sound-deadening strip
- 78 Skibag mounting bracket
- B4 Fuel gauge sender






P47.10-0283-06



Removal, installation

 <b>Danger!</b>	<b>Risk of explosion from ignition. Risk of poisoning from inhaling and swallowing fuel. Risk of injury as a result of fuel coming into contact with skin and eyes.</b>	No fire, naked flame or smoking. Pour fuels only into suitable and appropriately marked containers. Wear protective clothing when handling fuel.	AS47.00-Z-0001-01A
1	Empty fuel tank, fill	 Pay attention to capacity	AR47.10-P-4001B BF47.10-P-1001-01A
2	Remove trim panel of fuel tank as well as left and right side trim in trunk		
3	Disconnect fuel hose at suction end (53), fuel return hose (74) and vent pipe (76/1)	 Collect remaining fuel; seal connections   	BA47.10-P-1004-01B 000 589 71 03 00
4	Remove expansion tank, install	Only on cars with skibag (through-loading facility) CODE 282a	AR47.10-P-8021D <b>D3</b>
5	Remove bracket (78) of skibag mount	Only on cars with skibag (through-loading facility) CODE 282a	
6	Take out fuel tank (75)	If optional "Bose Sound System" fitted: ↓ Remove amplifier unit, install. See Repair Instructions Electrical System II Model 140 Op. no. 82-7720	
7	Examine sound-deadening strip (75/5)	Replace, if necessary. Stick on sound-deadening strip (self-adhesive)	

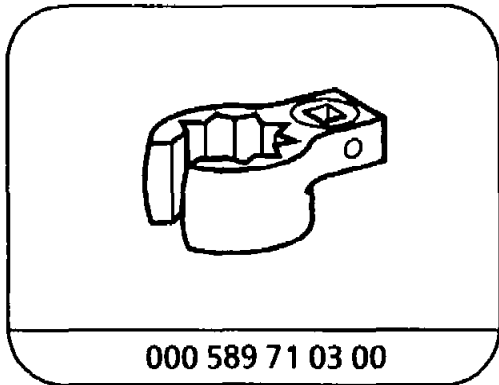
8	Remove fuel strainer (26)	<p> Clean and check whether it can be re-used</p> <p> The splash pot in the fuel tank is secured against turning with 2 bolts. It is attached to the fuel strainer (26)</p> <p></p>	BA47.10-P-1001-01B
9	Replace O-ring (26/1)	Oil to facilitate installation	
10	Install in the reverse order		
11	Dispose of fuel tank		OS47.10-P-0001-01A <b>H18</b>

 Fuel tank

Number	Designation	Model 140	
BA47.10-P-1001-01B	Fuel strainer in fuel tank	Nm	40
BA47.10-P-1004-01B	Fuel hose with connection fitting to fuel strainer	Nm	30

 Fuel tank

Number	Designation		Model 140	Model 140 with skibag code 282 or refrigerator box code 307
BF47.10-P-1001-01A	Tank capacity	Total capacity      liters	100	90
		Reserve capacity      liters	12.5	12.5



Box wrench socket, Delco R4 and A6