

L6

AR30.12-P-3022D

Removing and installing firewall pivot point with accelerator pedal lever

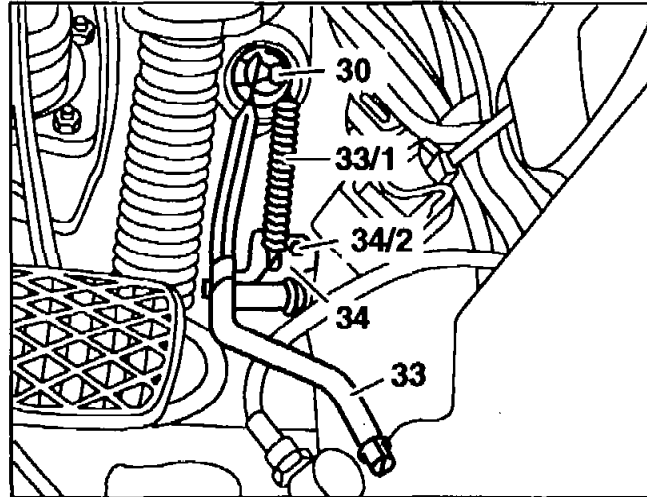
3.8.94

MODEL 124, 129, 140, 202, 461, 463

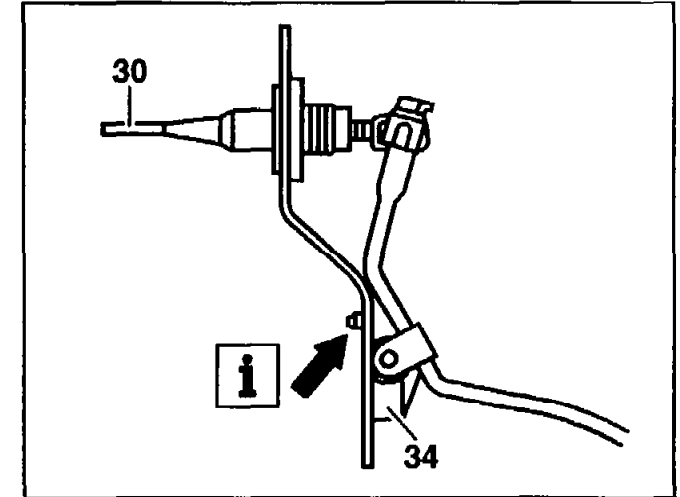
MODEL 124, 463, 461

Shown on model 124

- 30 Accelerator control cable
- 33 Accelerator pedal lever
- 33/1 Return spring
- 34 Firewall pivot point
- 34/2 Bolts
- Arrow Locking pin



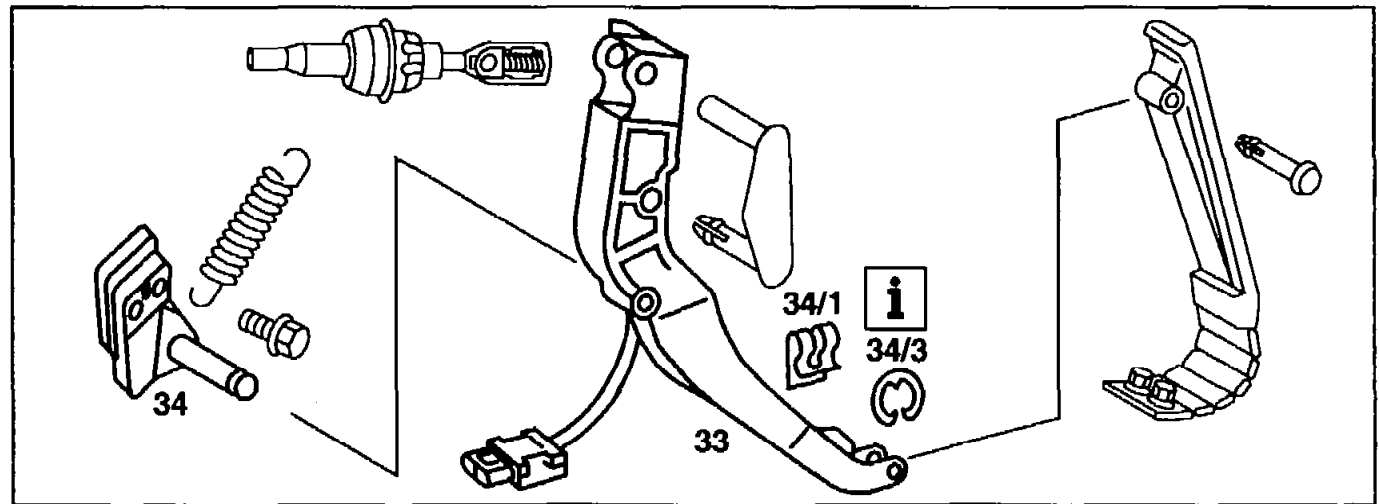
P30.12-0200-01



P30.12-0201-01







MODEL 129, 140, 202

- 33 Accelerator pedal lever
- 34 Firewall pivot point
- 34/1 Locking element
- 34/3 Circlip



P30.12-0207-04



 	Removal, installation		
1	Remove accelerator pedal, install		AR30.12-P-1321D H6
2	Remove firewall pivot point (34) together with accelerator pedal lever (33)		
3	Pull firewall pivot point (34) off accelerator pedal lever (33)	Pull off locking element (34/1) for this step  On model 140, 463, 461 use only circlip (34/3).	
 BT	Locking element for accelerator pedal lever modified	Model 140	BT30.12-P-0001-01A F18
4	Install in the reverse order	 The locking pin (arrow) of the firewall pivot point (34) must engage in the hole in the firewall	
	Checking		
5	Check throttle control, adjust	<p>Engine 111, 104</p> <p>Engine 119.97 with ASR code 471a</p> <p>Engine 119.97 without ASR code 471a</p> <p>Engine 119.98</p> <p>Engine 120.980/81</p> <p>Engine 120.982/83, engine 606.964</p> <p>Engine 602.983 in model 461</p>	<p>AR30.10-P-1010D</p> <p>AR30.10-P-1010EA M5</p> <p>AR30.10-P-1010EB A6</p> <p>AR30.10-P-1010EC F6</p> <p>AR30.10-P-1010F</p> <p>AR30.10-P-1010FA</p> <p>AR30.10-P-1010GG</p>

		<p>Engine 604.910, 605.910/960 in model 202 with automatic transmission 722.4</p> <p>Engine 605.910/960 with manual transmission 717.4</p> <p>Engine 605.910/960, 606.961 with automatic transmission 722.6</p>	<p>AR30.10-P-1010HB</p> <p>AR30.10-P-1010HC</p>
--	--	---	---