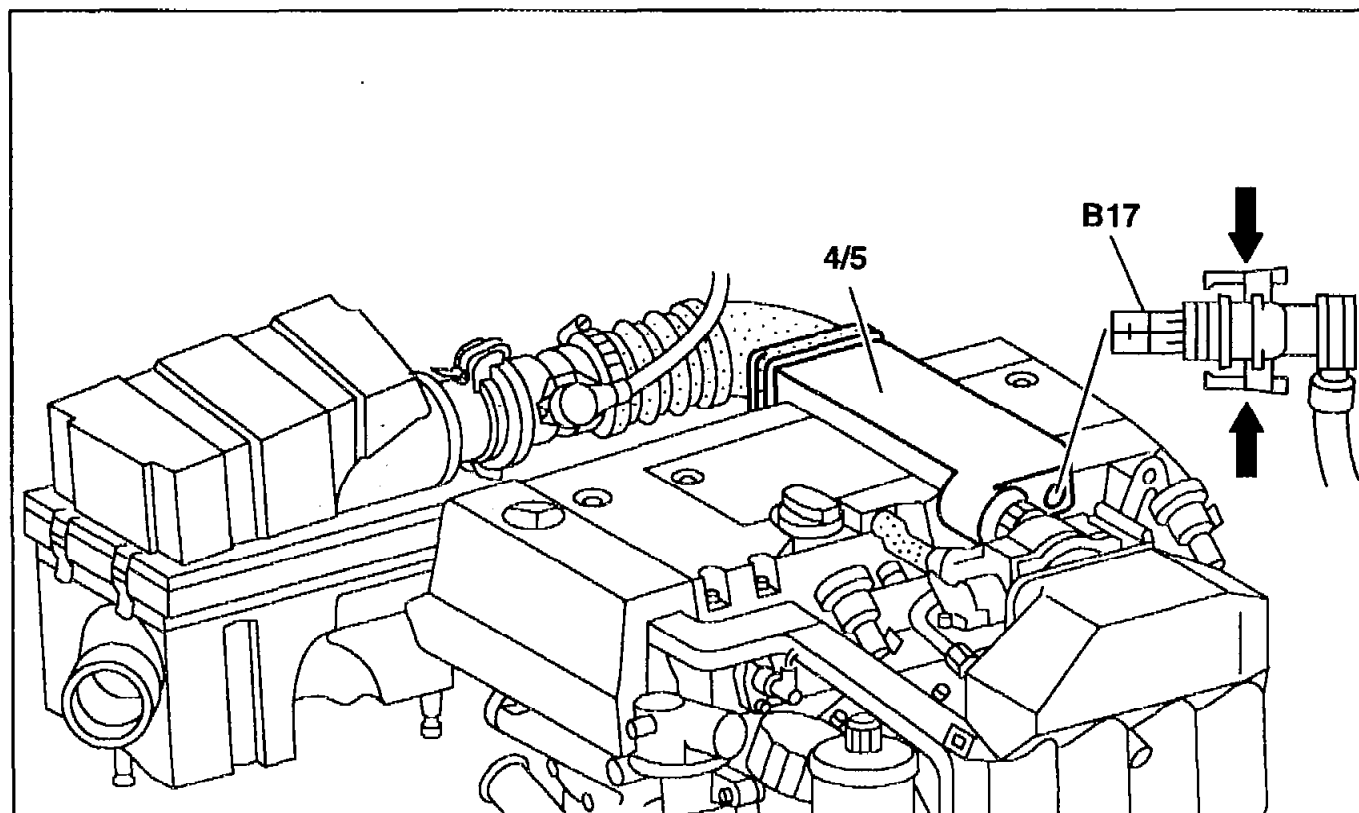
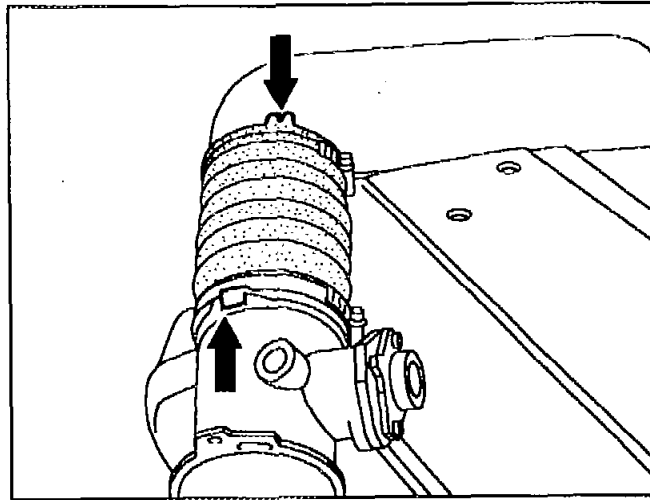


**N2**

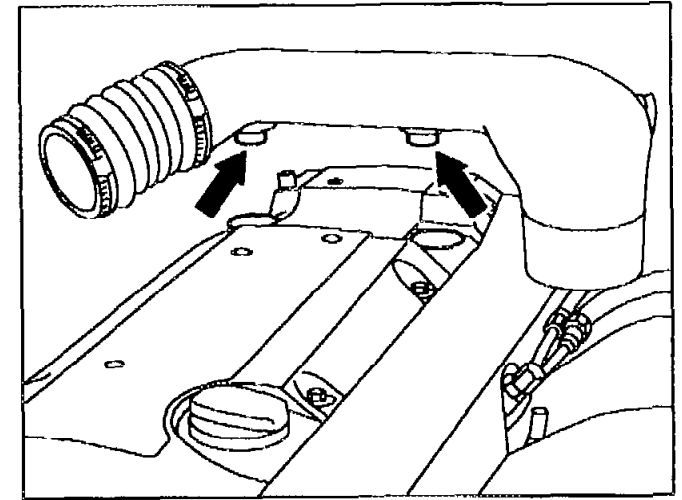
AR09.10-P-8031G

**Removing and installing air cleaner cross pipe****3.8.94****ENGINE 104.941 /942 /943 /944 /991 /992 /994, 111.920 /921 /940 /941 /945 /946 /960 /961 /974 /977***4/5 Air cleaner cross pipe**B17 Intake air in-car temperature sensor**Arrows Retaining clips*

P09.10-0204-05



P09.10-0205-01



P09.10-0206-01

Fig. item, etc.	Work instructions		
B17	Intake air in-car temperature sensor	Remove complete with coupling, install. <b>i</b> To do this, compress retaining clips (arrows).	
Arrows	Shaped hose	Pay attention to correct installed position	
4/5	Air cleaner cross pipe	pull off upwards. <b>i</b> <b>Installing:</b> Press the pins (arrows) of the air cleaner cross pipe into the rubber mounts of the valve cover as far as the stop. The pins are hollow and run directly into the cross pipe. The hollow pins act as an engine breather and at the same time as a means of fixing the cross pipe.	



<b>i</b>	Air cleaner cross pipe version	Model 202.028, 210.055 code 957a C 36, E36 AMG	GF09.10-P-8031-01A <b>D18</b>
----------	--------------------------------	---	-------------------------------