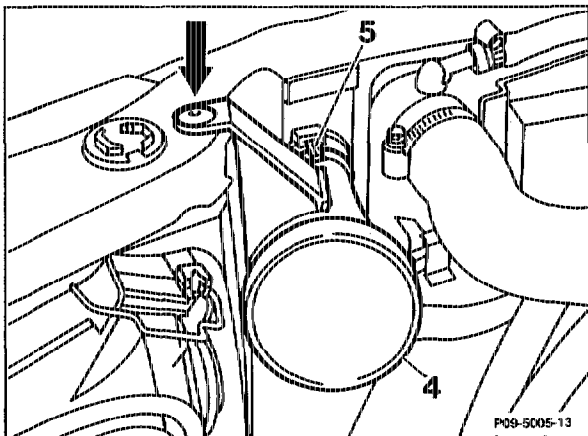
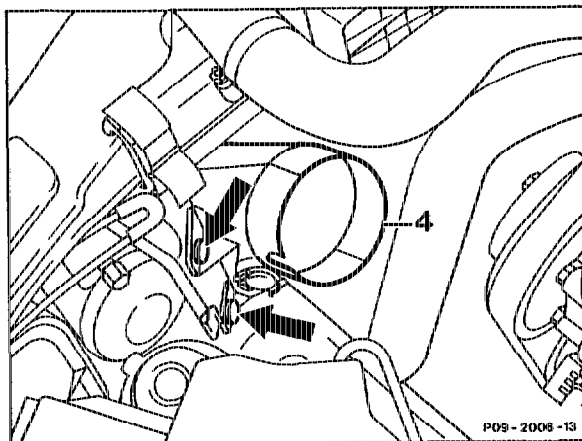


# 09-0060 Removing and installing intake air scoop

Operation No. of operation texts and work units or standard texts and flat rates:  
09-0060



Model 124



Model 129

Air intake hose .....	remove, install.
Clip (arrow) .....	remove, insert (2 clips on model 129).
Intake air scoop (4) .....	remove, insert.
	Push lever (5) down on model 124.

**Installation instruction**

Intake air scoop (4) must engage in the mount at the bottom (only on model 124).