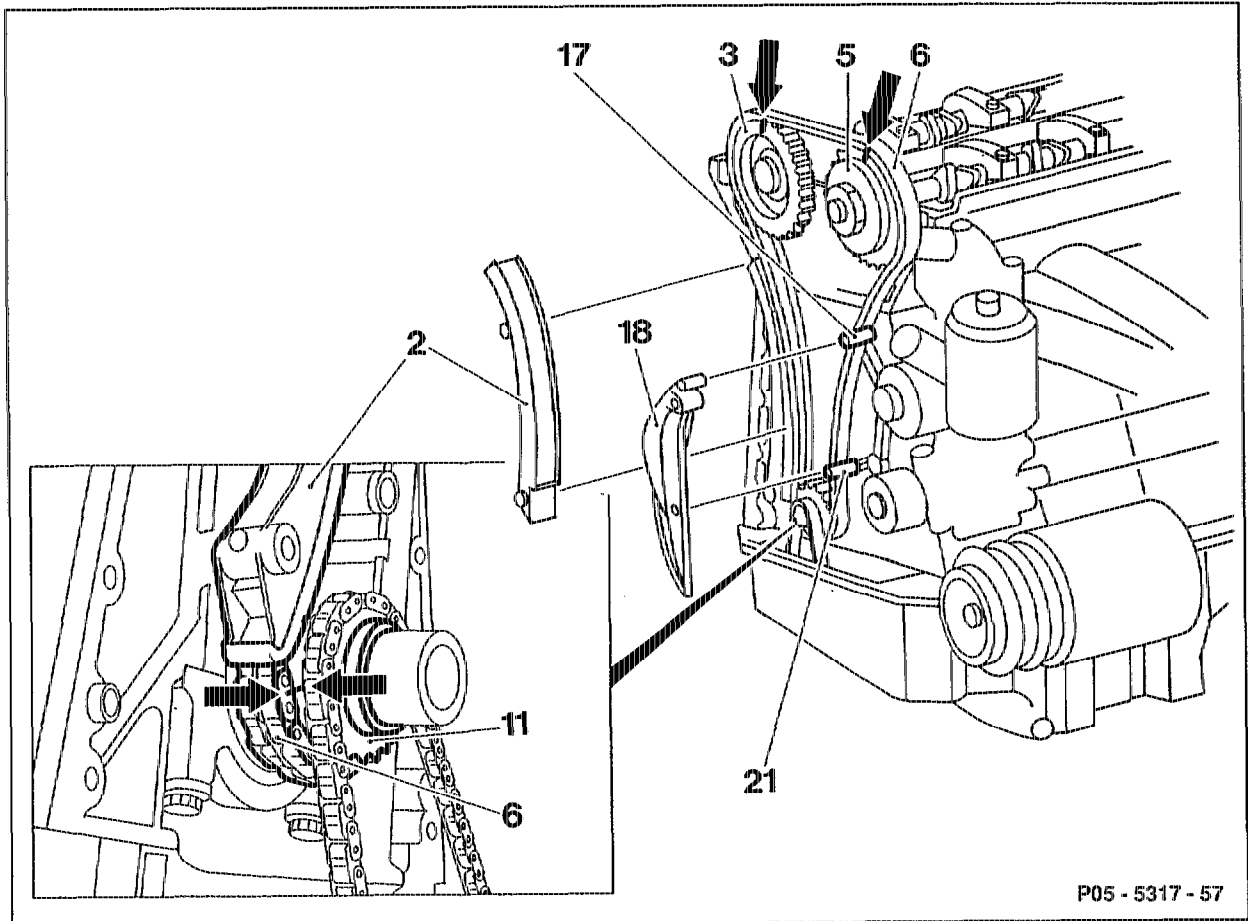


## 05-3360 Removing and installing friction rail in crankcase

Preceding work:  
Timing case cover removed (01-2100).

### Engine 104.94/104.99



P05 - 5317 - 57

- |  |   |
|--|---|
| <p>Crankshaft sprocket (11) .....</p> <p>Tensioning rail (2) .....</p> <p>Timing chain (6) at camshaft sprockets (3) and (5)</p> | <p>mark relative to timing chain (6) with a coloured marking (arrows).</p> <p>remove, install (05-3300).</p> <p>lift off, fit on. Pay attention to coloured marking (arrows).</p> |
|--|---|

Guide rail (18) at bearing pins (17) and (21) . . . . pull off, fit on. Pay attention to coloured marking (arrows) on crankshaft sprocket (11); check basic position of camshafts if necessary (05-2230).

**Note**

The plastic guide (sliding surface) is clipped into the guide rail (18) and can be replaced separately.

Projection of guide rail pin (17) at top with female thread 21 mm.

Projection of guide rail pin (21) at bottom 34 mm.