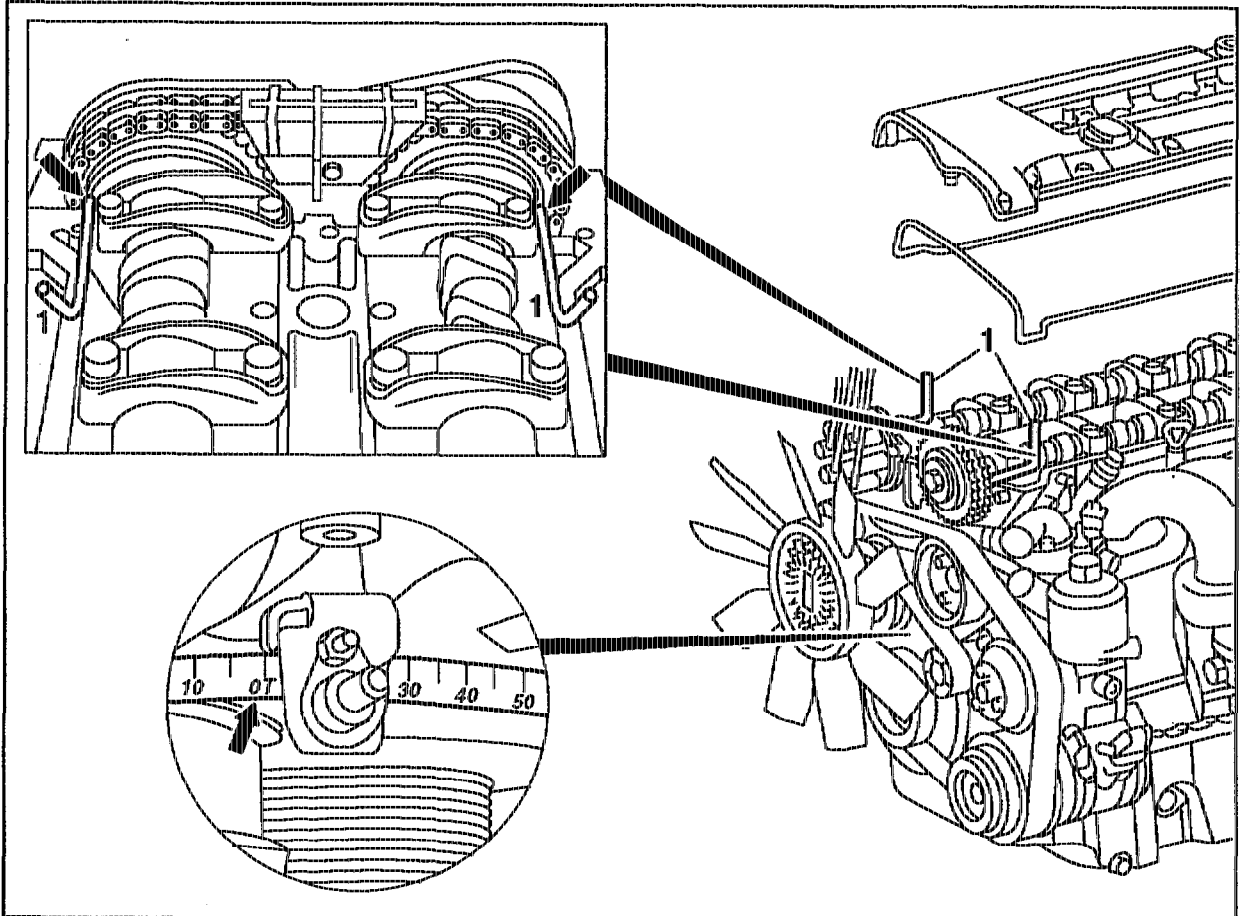


05-2230 Checking basic position of camshafts

Preceding work:

Cylinder head cover removed (01-0500).

Fan shroud and fan shroud ring removed (20-3400)



P05-5393-57

Cylinder 1

To do this

4 mm \varnothing holes in the camshaft flanges
(arrows)

position to ignition TDC.

rotate crankshaft until the TDC marking on the vibration damper and the TDC pointer (arrow) are aligned (01-0120).

must touch the top edge of the cylinder head, except at AMG engines.

Insert pins (1) into holes (arrows) for this step.



Camshaft adjuster must be in "retarded" position.

Inlet camshaft rotated in opposite direction of rotation of engine.

Inlet camshaft sprocket rotated in direction of rotation of engine as far as the stop!