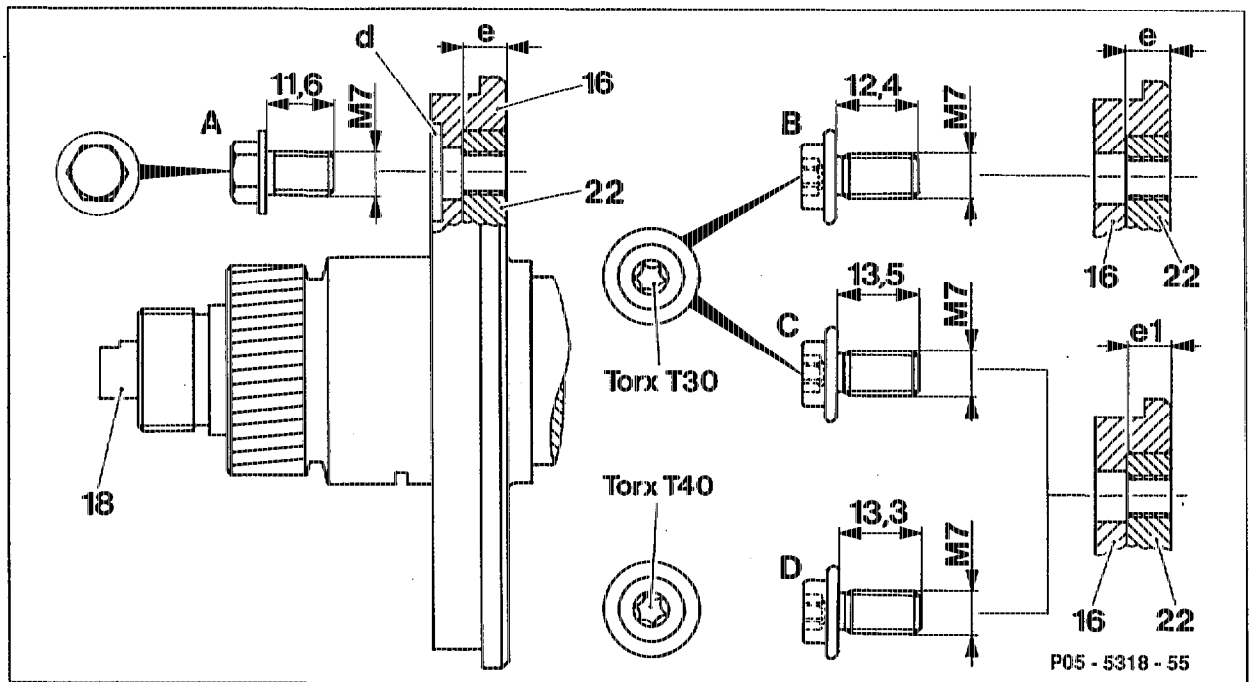


05--2180 Matching bolts to camshaft

Bolts of flanged shaft to inlet camshaft



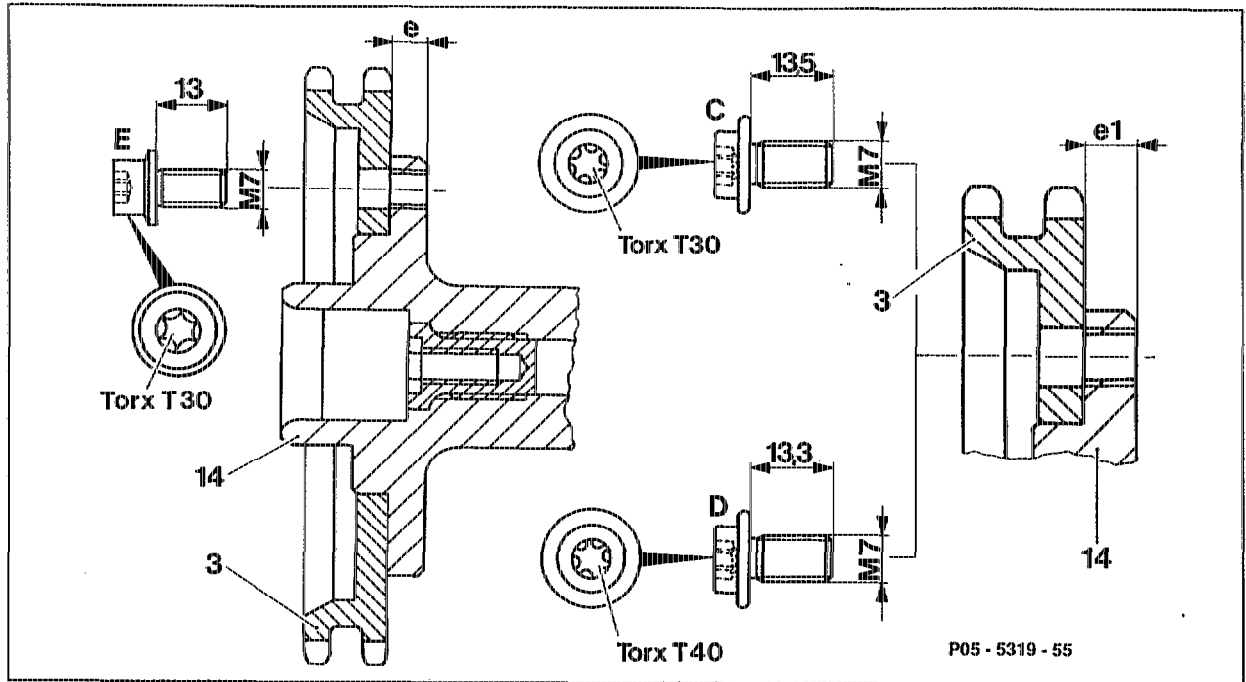
- | | | | |
|---|---|----|-----------------|
| A | M7 x 11.6 mm hexagon bolt + washer | d | Recess |
| B | M7 x 12.4 mm collar bolt Torx - T30 | e | 6.8 mm |
| C | M7 x 13.5 mm collar bolt Torx - T30 | e1 | 7.8 mm |
| D | M7 x 13.3 mm collar bolt with stretch shank
Torx - T40 | 16 | Flanged shaft |
| | | 22 | Camshaft |
| | | 18 | Control plunger |

Bolt		Tightening torque	Engine	
Part number standard	Part number repairs		as of	up to
A 104 990 03 22	A 104 990 03 22	18 Nm		980 10/50, 20/60 005422 980 12/52, 22/62 023613 981 10/50, 20/60 001035 981 12/52, 22/62 010154
B 120 990 05 04	B 104 990 05 04	22 Nm	980 10/50, 20/60 005423 980 12/52, 22/62 023614 981 10/50, 20/60 001036 981 12/52, 22/62 010155	980 10/50, 20/60 005791 980 12/52, 22/62 025653 981 10/50, 20/60 001133 981 12/52, 22/62 010893
C 120 990 01 04	C 120 990 01 04 D 120 990 02 04	22 Nm 20 Nm + 60° ¹⁾	980 10/50, 20/60 005792 980 12/52, 22/62 025654 981 10/50, 20/60 001134 981 12/52, 22/62 010894	980 10/50, 20/60 007619 980 12/52, 22/62 035763 981 10/50, 20/60 001913 981 12/52, 22/62 016058 990 10/50, 20/60 000567 990 12/52, 22/62 022721
D ²⁾ 120 990 02 04	D ²⁾ 120 990 02 04	20 Nm + 60° ¹⁾	980 10/50, 20/60 007620 980 12/52, 22/62 035764 981 10/50, 20/60 001914 981 12/52, 22/62 016059 990 10/50, 20/60 000568 990 12/52, 22/62 022722	

1) It is not permitted to re-use bolt

2) Engines 104.941/942/943/944/945/991/992/994/995/996 as of start of production

Bolts of camshaft sprocket to exhaust camshaft



C	M7 × 13.5 mm collar bolt Torx – T30	e	6.8 mm
D	M7 × 13.3 mm collar bolt Torx – T40	e1	7.8 mm
E	M7 × 13 mm bolt with tensioning washer Torx – T30	3	Camshaft sprocket
		14	Exhaust camshaft

Bolt		Tightening torque	Engine	
Part number standard	Part number repairs		as of	up to
E 103 990 00 22	E 103 990 00 22	18 Nm		980 10/50, 20/60 005731 980 12/52, 22/62 025192 981 10/50, 20/60 001111 981 12/52, 22/62 010734 990 10/50, 20/60 000080 990 12/52, 22/62 001015
C 120 990 01 04	C 120 990 01 04 D 120 990 02 04	22 Nm 20 Nm + 60° ¹⁾	980 10/50, 20/60 005732 980 12/52, 22/62 025193 981 10/50, 20/60 001112 981 12/52, 22/62 010735 990 10/50, 20/60 000081 990 12/52, 22/62 001016	980 10/50, 20/60 007619 980 12/52, 22/62 035763 981 10/50, 20/60 001913 981 12/52, 22/62 016058 990 10/50, 20/60 000567 990 12/52, 22/62 022721
D ²⁾ 120 990 02 04	D ²⁾ 120 990 02 04	20 Nm + 60° ¹⁾	980 10/50, 20/60 007620 980 12/52, 22/62 035764 981 10/50, 20/60 001914 981 12/52, 22/62 016059 990 10/50, 20/60 000568 990 12/52, 22/62 022722	

1) It is not permitted to re-use the bolt

2) Engines 104.941/942/943/944/945/991/992/994/995/996 as of start of production