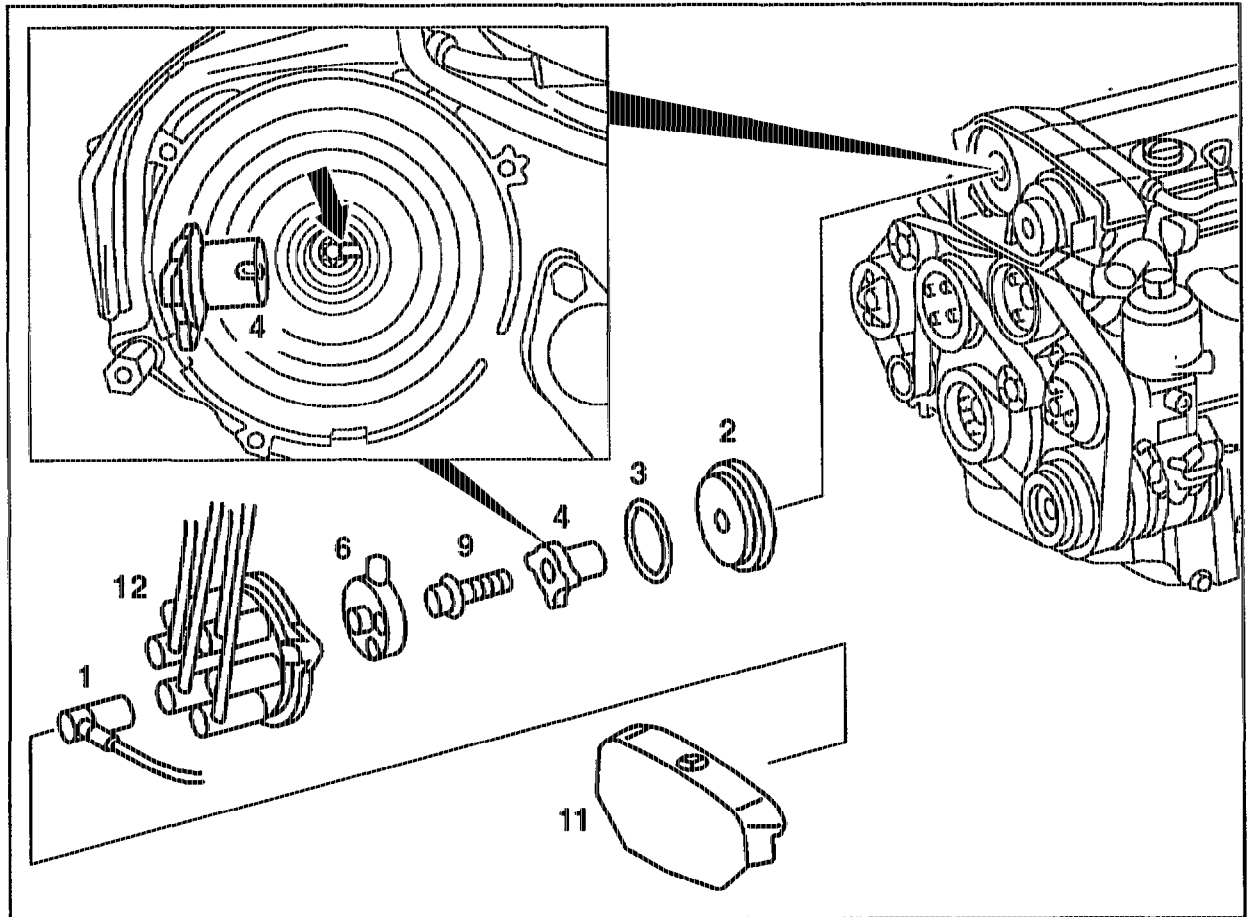


## 05-2178 Removing and installing follower at camshaft

Preceding work:  
Warning instructions when hood open (01-0085)

Engine 104.980/981/990



P01-5856-57

Model 124: .....	remove viscous fan clutch, install (20-3120).
Model 140: .....	take off fan shroud ring at fan shroud, place over fan, install (20-3400).
Shielding cap (11) .....	unclip on both sides, take off, fit on.
Ignition cable 1 at HT distributor (12) .....	unplug, plug in.
High tension distributor (12) .....	unbolt, tilt up, install.
Distributor rotor (6) and follower (4) .....	remove, install.
Protective cap (2) and seal (3) .....	take off, fit on.

### Note

The slot of the follower (4) must engage in the locating pin (arrow) in the camshaft, (16 Nm).

### Tightening torques in Nm

Distributor rotor to follower (reference value)	2,5
Follower to camshaft (Torx)	16

### Special tools

