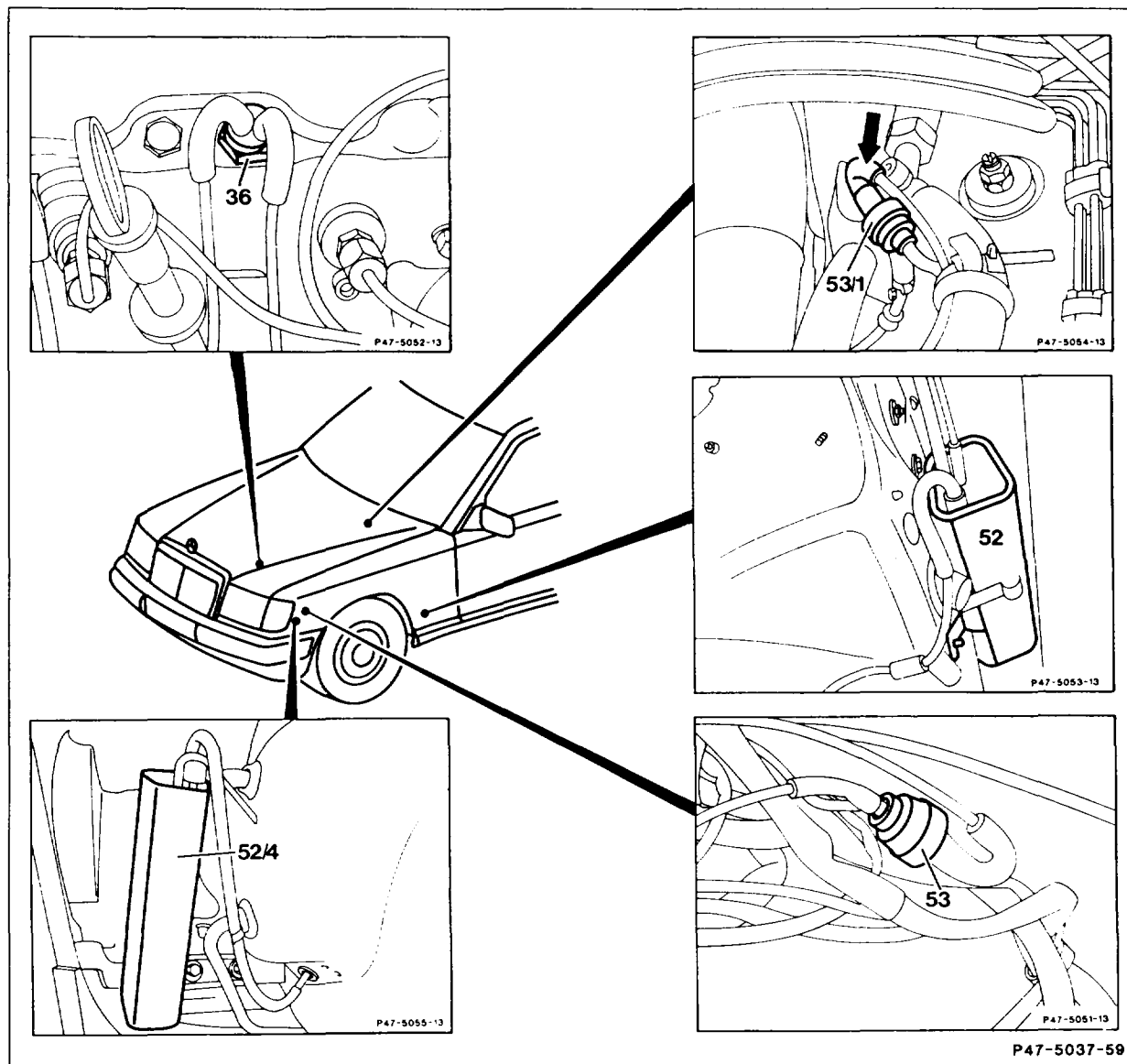


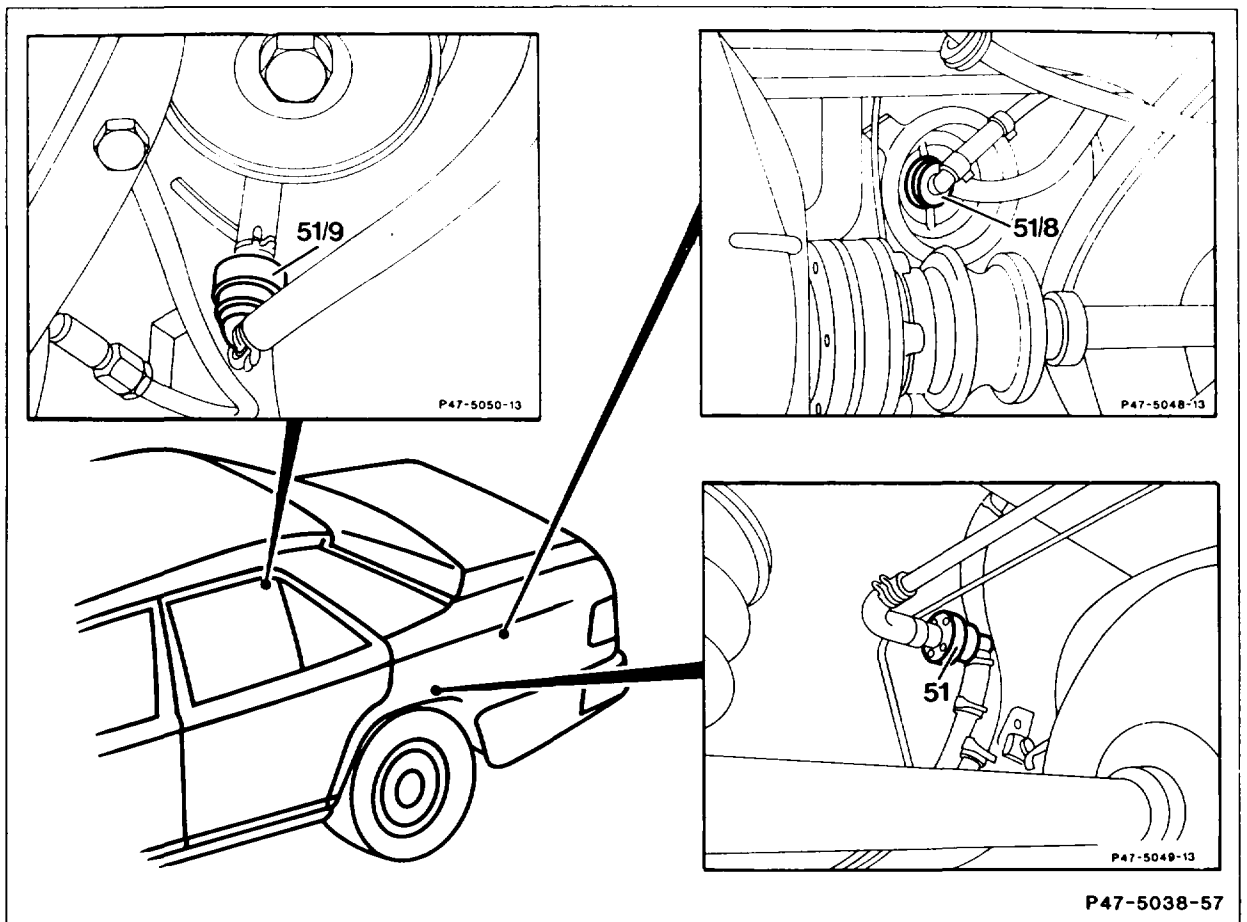
47-8201 Testing fuel evaporation control system

Operation no. of operation texts and work units or standard texts and flat rates:



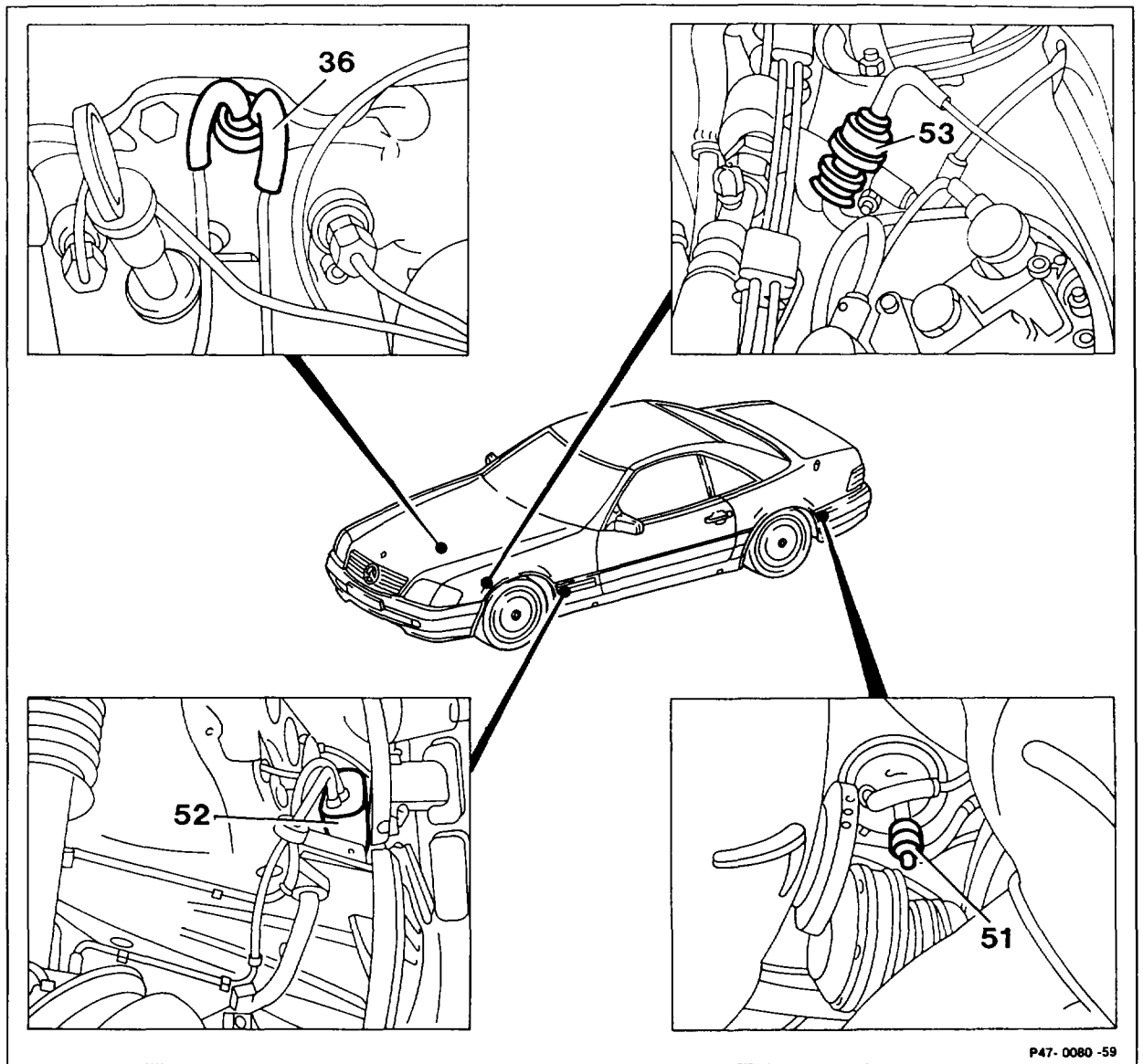
Location of components: models 107, 124, 126 and 201

36	50°C red thermovalve	52/4	Activated charcoal filter 107 (in front left wheelhouse)
52	Activated charcoal filter, models 124, 126, 201 (in front left wheelhouse)	53	Regeneration valve, models 107, 126, 201



Location of components: models 107, 124, 126 and 201

- 51 Vent valve, model 107
- 51/8 Vent valve, models 124 Sedan, 126, 201
- 51/9 Vent valve, model 124 Station Wagon



P47-0080-59

Location of components: model 129

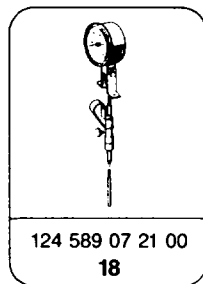
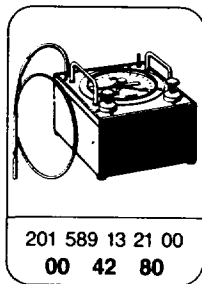
36 70°C black thermostatic valve with white edging
 51 Vent valve

52 Activated charcoal filter
 53 Regeneration valve

- | | |
|--|---|
| Engine at operating temperature | approx. 80°C engine oil temperature.
Special tool (018), 124 589 07 21 00. |
| Regeneration valve (53 or 53/1) | detach from black line to activated charcoal filter
and slowly increase engine speed to approx.
3000/min. At idle speed, no extraction.
Extraction occurs as engine speed rises. |
| Thermostatic valve (36, in sensor block) | check if passage blocked. |

Vacuum lines (white/black and white/violet/black) .	check that they are correctly connected at the throttle valve body and at thermostatic valve (36). Check condition.
Vent valve (51, 51/8, 51/9)	test operation. Connect tester 201 589 13 21 00 to connection fitting to fuel tank (pressure 30–50 mbar, vacuum 1–16 mbar).
Lines	check from fuel tank via vent valve (51, 51/8, 51/9), activated charcoal filter (52, 52/4, remove bulkhead if necessary), regeneration valve (53) to throttle valve body (black)
Activated charcoal filter (52, 52/4)	check. The connections must be clear to each other.

Special tools



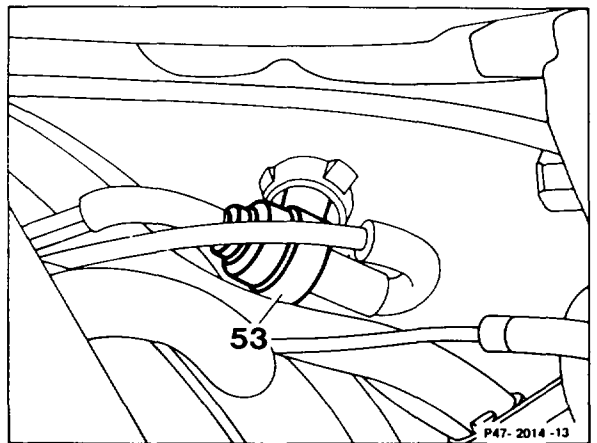
Repair note

- **Models 126, 201**
Since 09/87 the housing of the activated charcoal filter has been made of plastic (previously sheet steel). When replacing parts, it is only permitted to replace like with like.

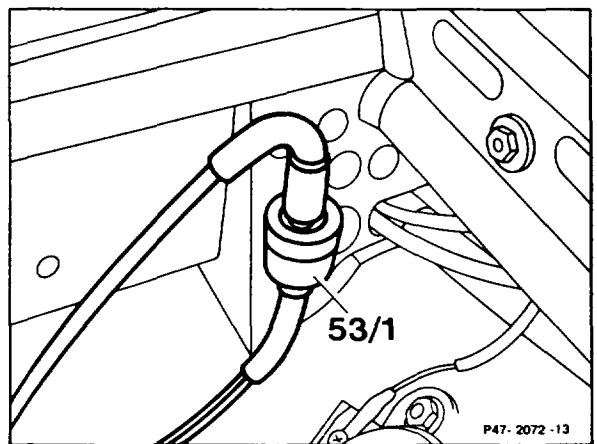
- **Model 124**

The regeneration valve (53/1) has been attached to the partition of the left component compartment since 09/87. The regeneration line runs from the activated charcoal filter through the engine components compartment to the regeneration valve and throttle valve body.

up to 08/1987 located at left wheelhouse



as of 09/1987 located at left partition



Notes

Models 107, 124, 126, 201

Fuel evaporation control system.

Thermovalve for regeneration modified to 70°C (previously 50°C).

Production breakpoint: August 1987

Model	Engine	Engine end no. manual transmission	Engine end no. automatic transmission
107.041	103.982	001571	006696
124.026	103.940	015305	031059
124.030/050/090	103.983	016764	085607
124.226	103.943	000091	000188
124.230/290	103.985	000400	001402
126.020	103.941	002786	008992
126.024/025	103.981	004674	038230
201.029	103.942	005709	008435

Model 124

Fuel evaporation control system

Production breakpoint: March 1987

Model	Vehicle ident end no.
124	A 470552 F 036428