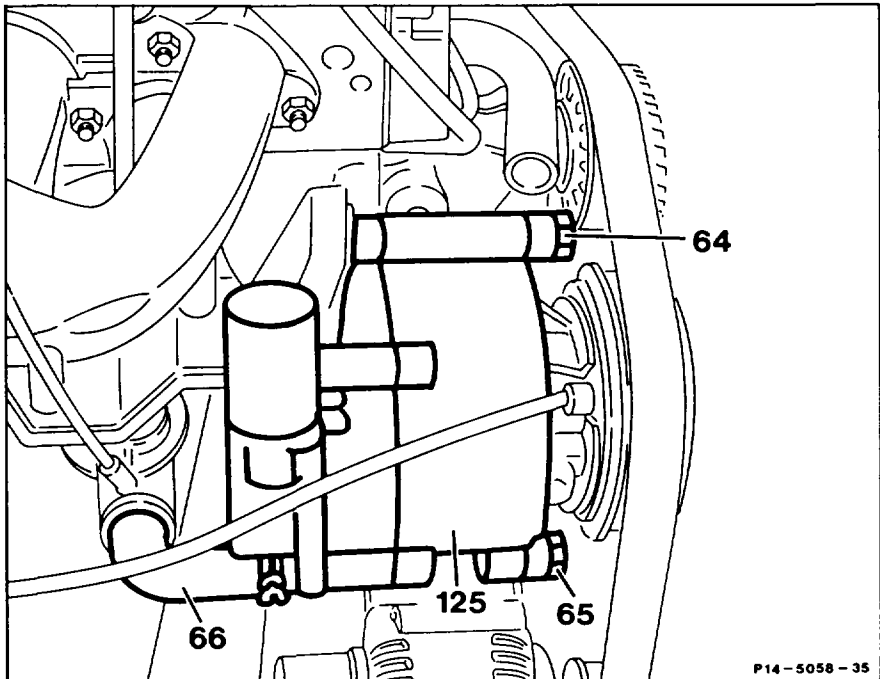


# 14-7251 Removing and installing air pump

Preceding work:  
 Removing and installing poly-V belt (13-340).

Operation no. of operation texts and work units or standard texts  
 and flat rates:  
 14-7251.



- |   |                   |
|---|-------------------|
| Plug connection of electromagnetic clutch (Y33) | detach, plug in.  |
| Screws (64, 65)                                 | remove, screw in. |
| Shaped hose (66)                                | detach, fit on.   |
| Air pump (125)                                  | take off, fit on. |

**Note**  
 After installing, tension poly V-belt (13-340).

## Notes

### Models 124, 126, 129, 201

Air injection line with modified connector for attaching non-return valve (simplification of production).

#### Production breakpoint: October 1990

Model	Engine	Engine end no. manual transmission	Engine end no. automatic transmission
124.026	103.940	033193	091486
124.030/050/090	103.983	040038	229328
124.230/290	103.985	–	014280
126.024/025	103.981	–	128404
129.060	103.984	000472	002008
201.029	103.942	018391	053206

#### Model 124 with automatic transmission

New start of production of exhaust gas recirculation, air injection and engine wiring harness.

#### Production breakpoint: June 1990 (without ASR)

Model	Engine	Engine end no. automatic transmission
124.026	103.940	084781
124.030/050/090	103.983	213355
124.226	103.943	001285
124.230/290	103.985	011813

#### Production breakpoint: June 1990 (with ASR, )

Model	Engine	Engine end no. manual transmission
124.026	103.940	081089
124.030/050/090	103.983	198330

#### Production breakpoint: June 1990 (without ASR, )

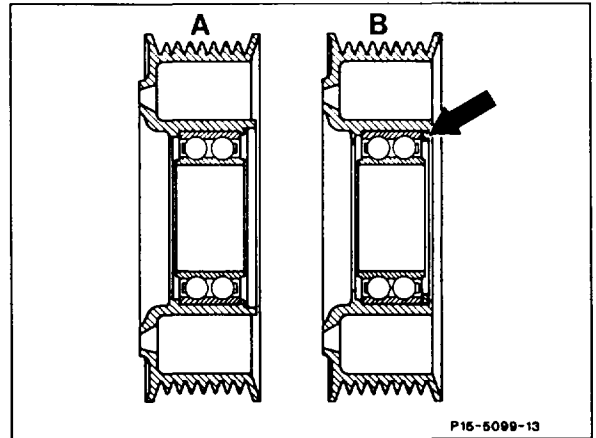
Model	Engine	Engine end no. manual transmission
124.026	103.940	084940
124.030/050/090	103.983	214618

### Belt pulley at air pump

Installation of the spacer ring (arrow) in front of the bearing in the belt pulley.

A Previous version

B Present version



### Production breakpoint: 08/91

Model	Engine	Engine end no. manual transmission	Engine end no. automatic transmission
124.007/026/027	103.940	036252	104252
124.030/050/090	103.983	044269	258049
124.230/290	103.985	-	017629
126.024/025	103.981	-	128404
129.060	103.984	000777	003801
201.029	103.942	019839	063830