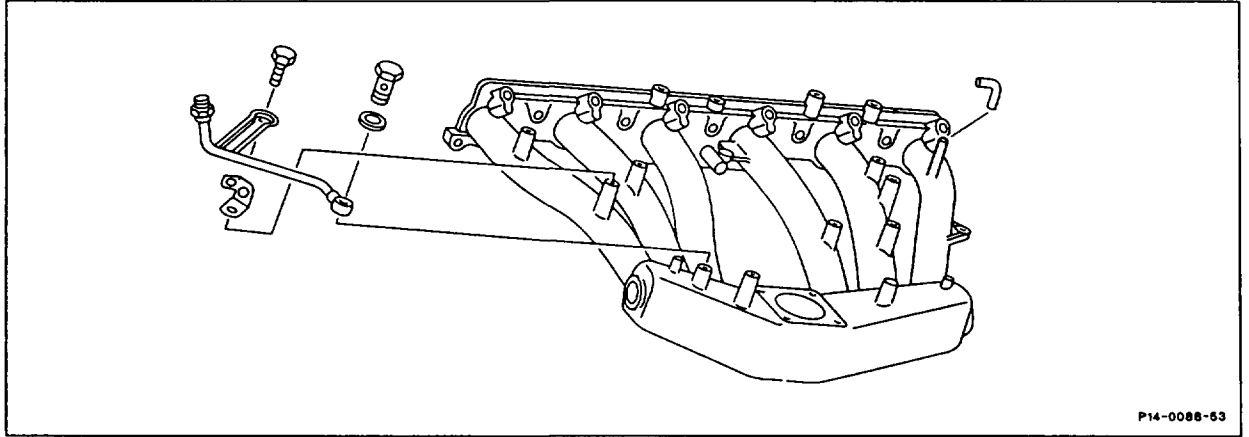


14-1346 Replacing intake manifold (intake manifold removed)

Preceding work:
Removing and installing intake manifold (14-1310).

Operation no. of operation texts and work units or standard texts
and flat rates:
14-1346.



All parts attached to removed intake manifold take off and install on new intake manifold.

Installation note
Replace all gaskets.