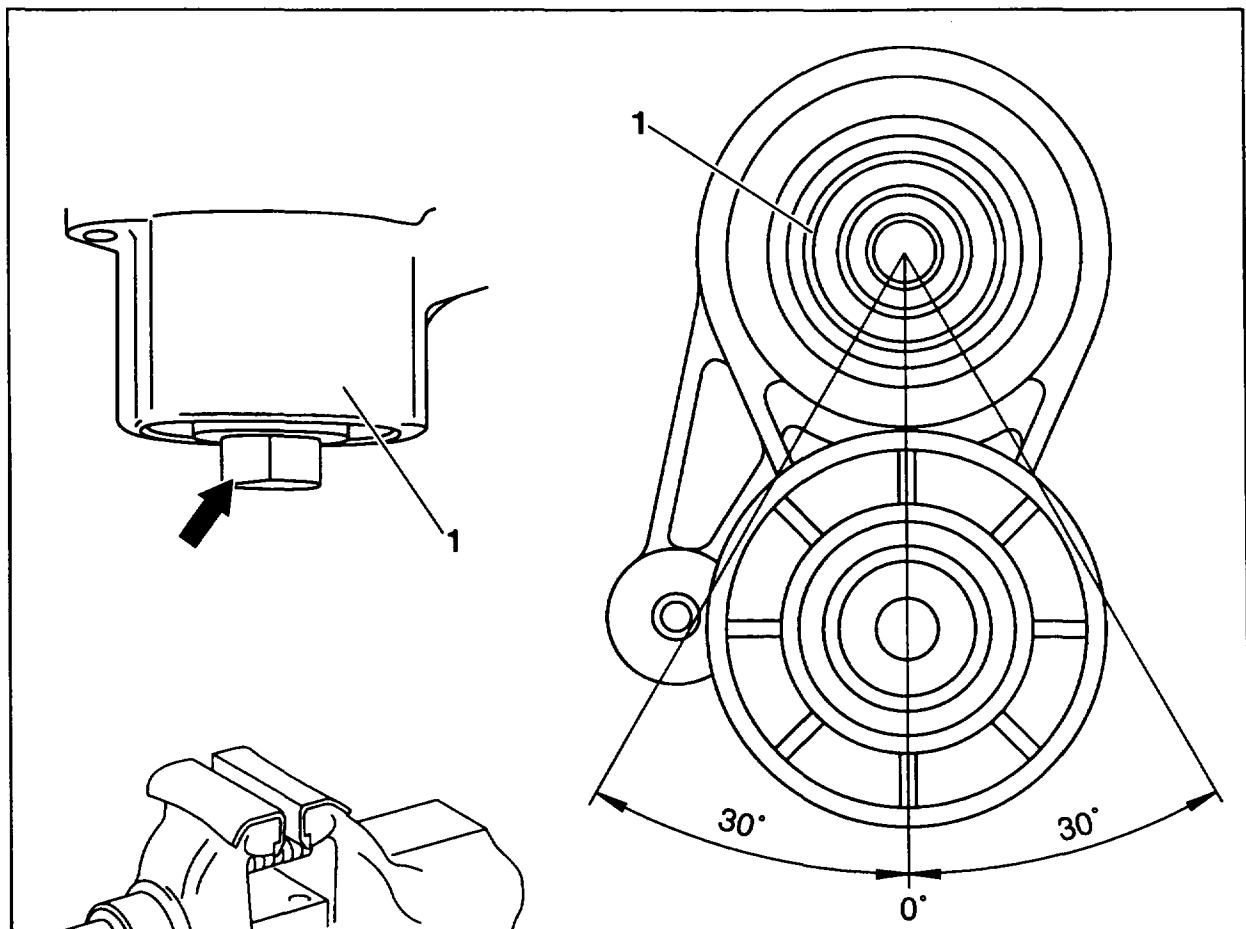


13-3452 Checking tensioning device

Preceding work:
Tensioning device removed (13-3450).



P13-5131-57

Tensioning device (1) fix in position at flats (arrow) (eg. vice)
Tensioning device (1) turn about 30° to both sides.

Note

The tensioning device (1) must move back into its original position after being turned.