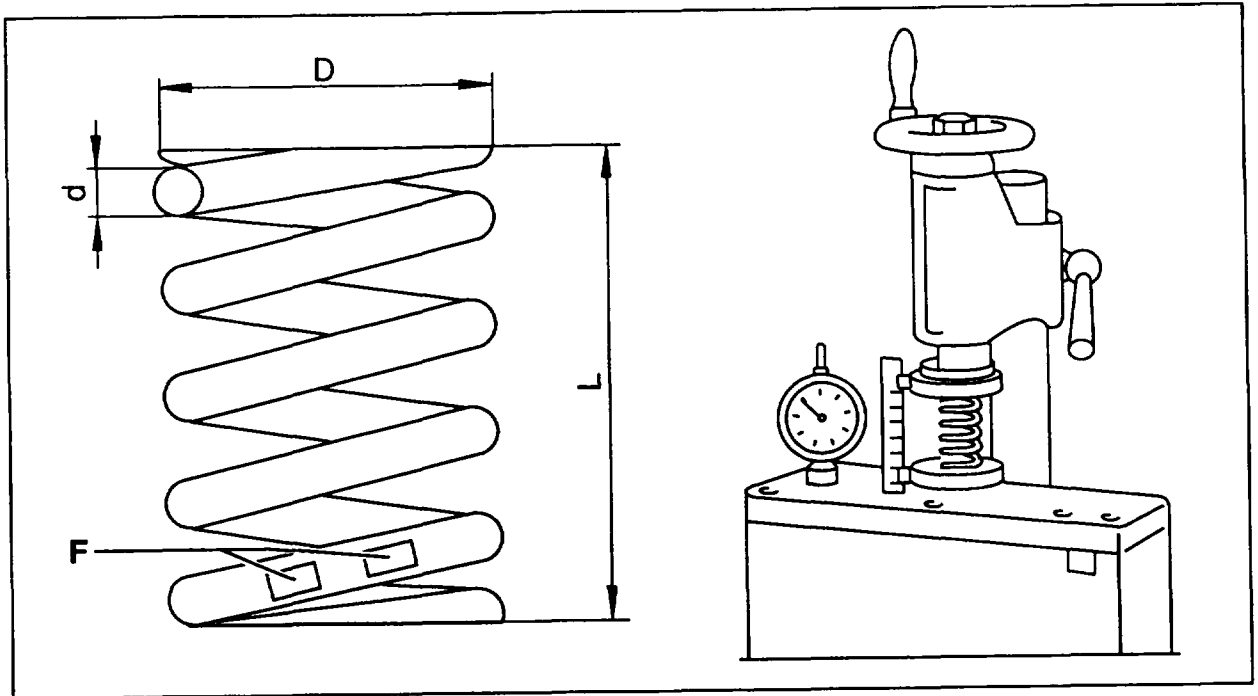


# 05-2600 Checking valve springs

Preceding work:  
Valve springs removed (05-2500)

Operation no. of operation texts and work units or standard texts  
and flat rates



P05-5506-55

Valve springs .....

clean.



Valve springs which are not within the dimensional tolerance, are corroded, have surface rust or mechanical damage at the ends, should be replaced.

Colored identification on valve springs .....

check, match; see table.

**Note**

Valve springs 1st version (up to 05/1988) and 2nd version should be replaced by valve springs of the 3rd version (as of 05/1991) when performing repairs.

Spring force at pretensioned length .....

measure.

If the valve springs do not reach the specified spring force, they cause frictional connection losses at high engine speeds and must be replaced.



**Data**

	Valve spring part no. 1)	Color coding (F)	Outer Ø (D) mm	Wire Ø (d) mm	Length un-tensioned (L) mm	Length L1 and L2 pre-tensioned spring force in N			
						L1	N	L2	N
1st version	102 053 02 20	yellow-red or violet-red	34.7	5.0	49	41	425 ± 26	30.4	1084 + 30 - 50
2nd version	102 053 11 20	violet-yelloworange or yellow-yelloworange							
3rd version	103 053 00 20	violet-red-yellow							

1) Except engine 103.983 AMG.

**Valve spring material modified (3rd version), production breakpoint: 05/1991**

Model	Engine	Engine end no. man. transm.	Engine end no. autom. transm.
124.007/026/027	103.940	035 501	101 174
201.029	103.942	019 532	061 285
124.226	103.943	-	001 511
126.024/025	103.981	008 807	138 351
124.030	103.983	043 309	251 326
129.060	103.984	000 672	003 127
124.050/090/230/290	103.985	-	016 762
463.2	103.987	000 788	001 720

