

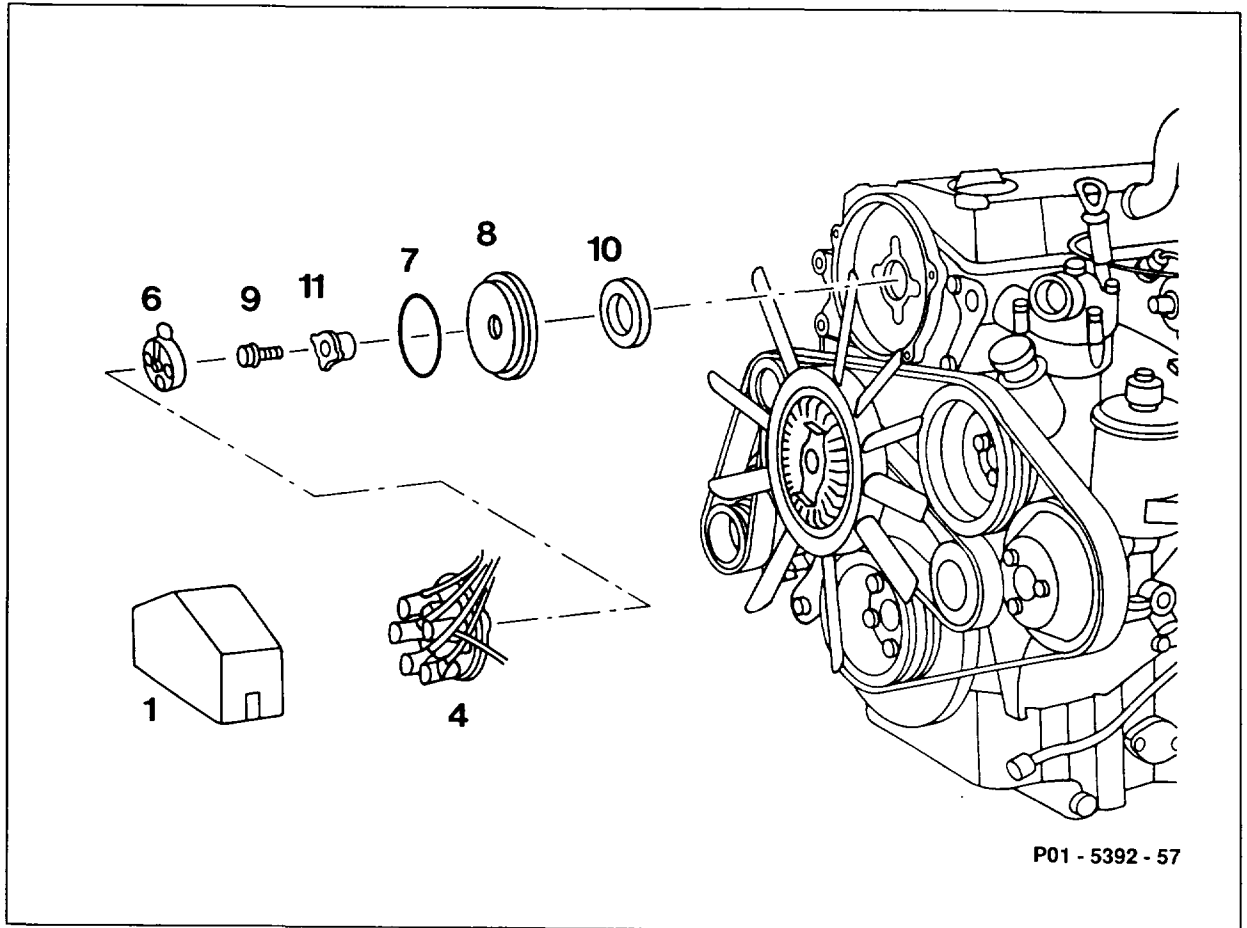
01-2140 Replacing radial seal in front cover

Preceding work:

Warning instructions when hood open (01-0085).

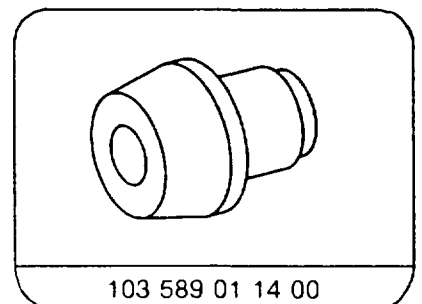
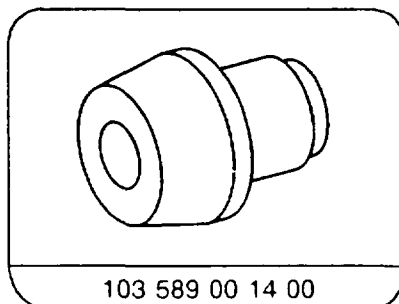
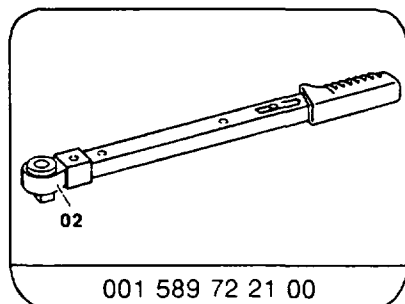
Models 124, 201: fan shroud removed (20-3400).

Driver on camshaft removed (05-2170).



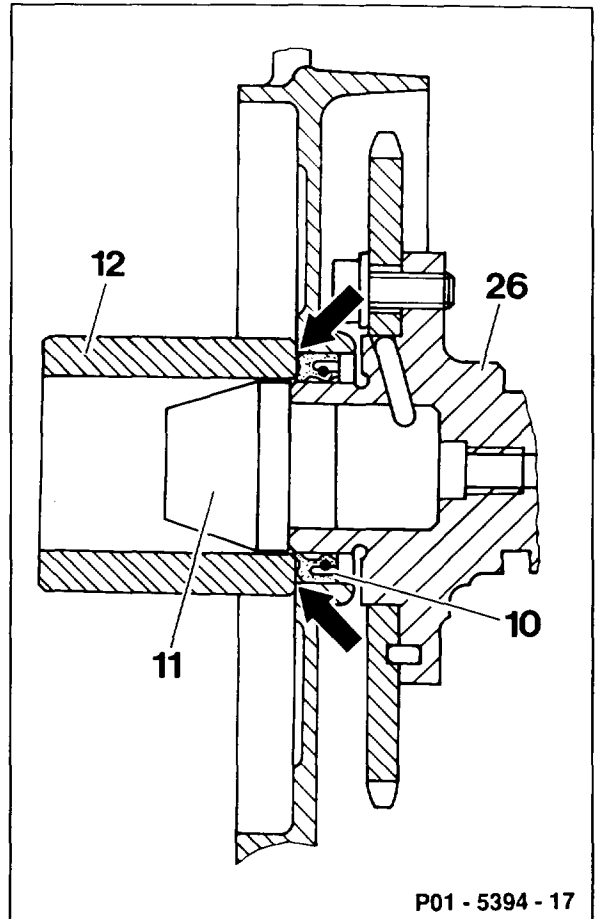
Radial seal (10) remove, install (steps 1 to 4)

Special tools



Shop-made tool

Sleeve for pressing on radial seal in front cover.



Replacing

1 Use a screwdriver to press out radial seal (10), or if front cover removed, knock out with a suitable drift.



If front cover installed, do not damage camshaft and mounting hole for the radial seal (10).

2 Fit insertion sleeve (11) onto camshaft (26).

Camshaft inner \varnothing 21.6

insertion sleeve 103 589 00 14 00

Camshaft inner \varnothing 20.0

insertion sleeve 103 589 01 14 00

3 Coat sealing lip of radial seal (10) all round with engine oil.



Do not use grease! Grease prevents the sealing lip of the radial seal transporting back the engine oil.

The inside of the mounting hole and the circumference of the radial seal must be free of grease and oil.

4 Fit radial seal (10) onto insertion sleeve (11) and press in flush (arrows) with sleeve (12) (shop-made).



The radial seal (10) must be perpendicular to the camshaft to ensure a proper seal.

5 Install in the reverse order.

