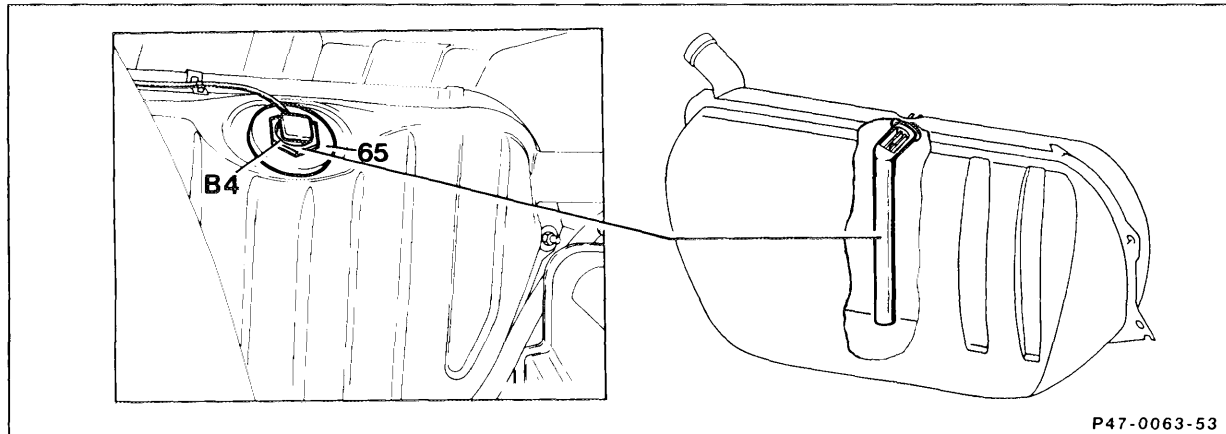


## 47-120 Removal and installation of fuel gauge sending unit

### A. Model 201

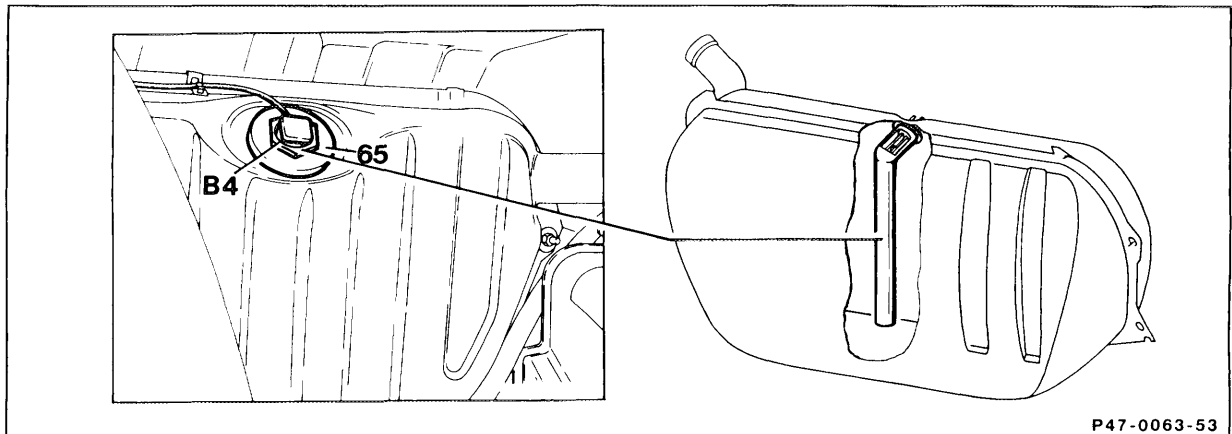


Battery ground cable .....	Disconnect, connect.
Fuel tank lining .....	Remove, install, Model 201 only partially.
Connector at sending unit (B4) .....	Remove, fit.
Sealing flange (65) .....	Unbolt, bolt on, 39 Nm. If fuel tank full, pump out approx. 8 litres (2 U.S. gal.) beforehand. Replace sealing rings.
Sending unit (B4) .....	Remove, install, run to drain, if necessary. Remove locking pin below adhesive strip (new part only).

#### Note

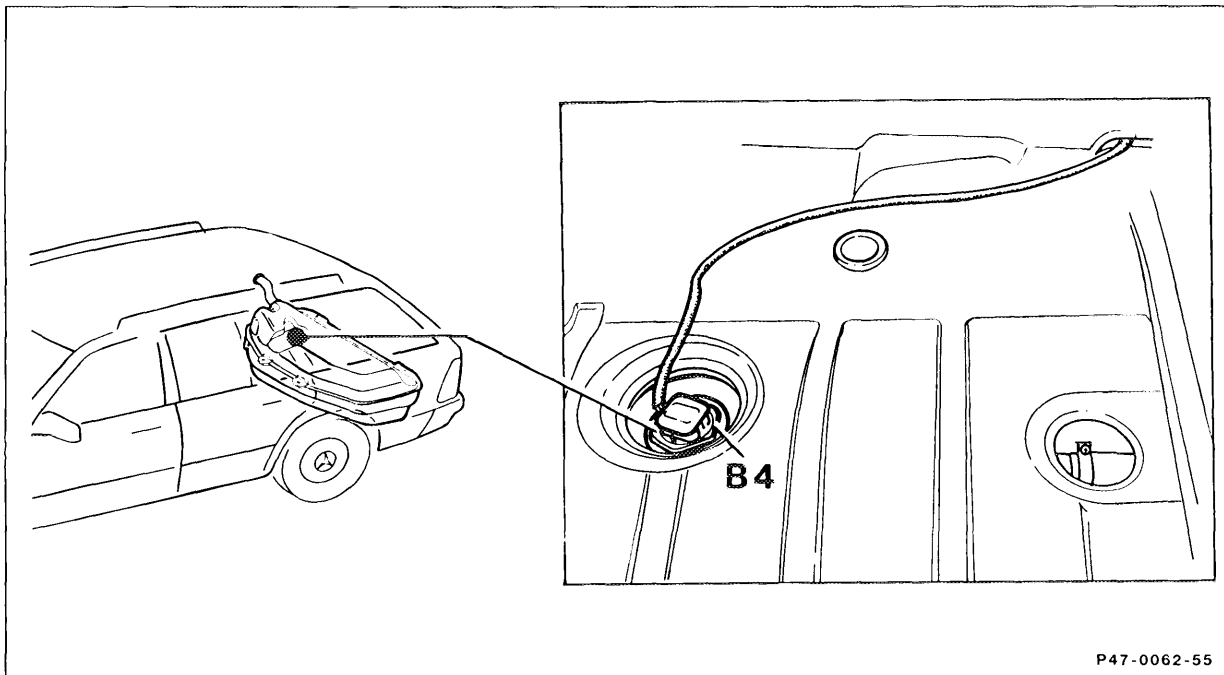
Refer to "Function of fuel gauge sending unit" (47-020) for fuel gauge sending unit Model 201.

## B. Models 124, 201 Turbodiesel



Battery ground cable .....	disconnect, connect.
Panelling of fuel tank .....	remove, install. Model 201 only partially.
Connector on sending unit (B4) .....	detach, fit on.
Sealing flange (65) .....	unbolt, bolt on, 39 Nm. Initially pump out approx. 8 litres (2 U.S. gal.) if fuel tank full. Replace seals.
Sending unit (B4) .....	remove, install. Empty by running if necessary. Remove locking pin below adhesive strip (new part only).

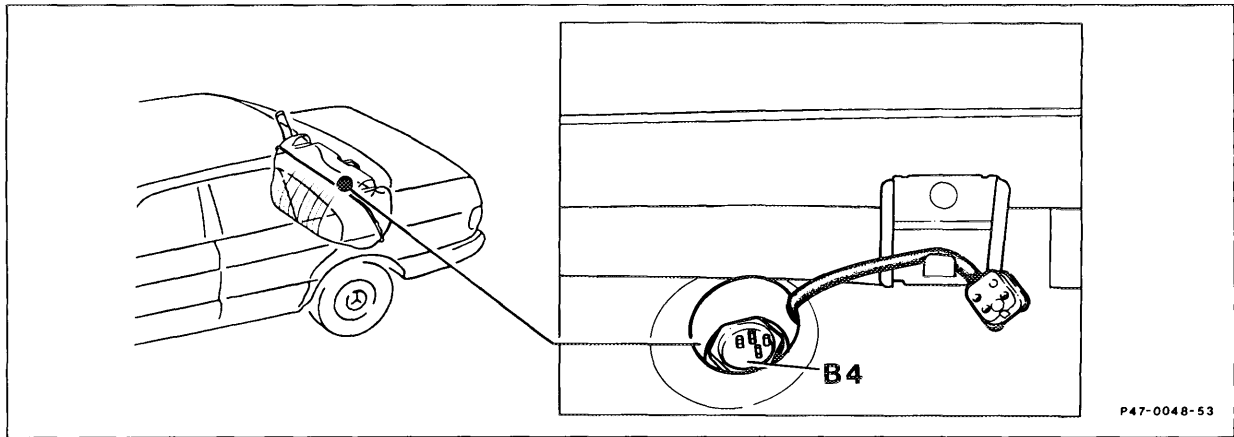
### C. Model 124 Station Wagon



P47-0062-55

Battery ground cable	disconnect, connect to battery.
Front cargo area flap or 3rd bench seat backrest	remove, install.
Cargo area panelling	partially remove, install.
Cap	unclip, clip in place.
Connector on sending unit (B4)	detach, fit on.
Sending unit (B4)	remove, install 39 Nm. Empty by running if necessary. Remove locking pin below adhesive strip (new part only).

## D. Model 126



P47-0048-53

Battery ground cable .....	disconnect, connect.
Rear bench seat, backrest .....	remove, install (91-170).
Cap .....	unclip, clip in place.
Connector on sending unit (B4) .....	detach, protect against slipping off, fit on.
Sending unit (B4) .....	remove, install, 39 Nm. Empty by running if necessary.
	Replace seal. Remove adhesive strip and locking pin (new part only).