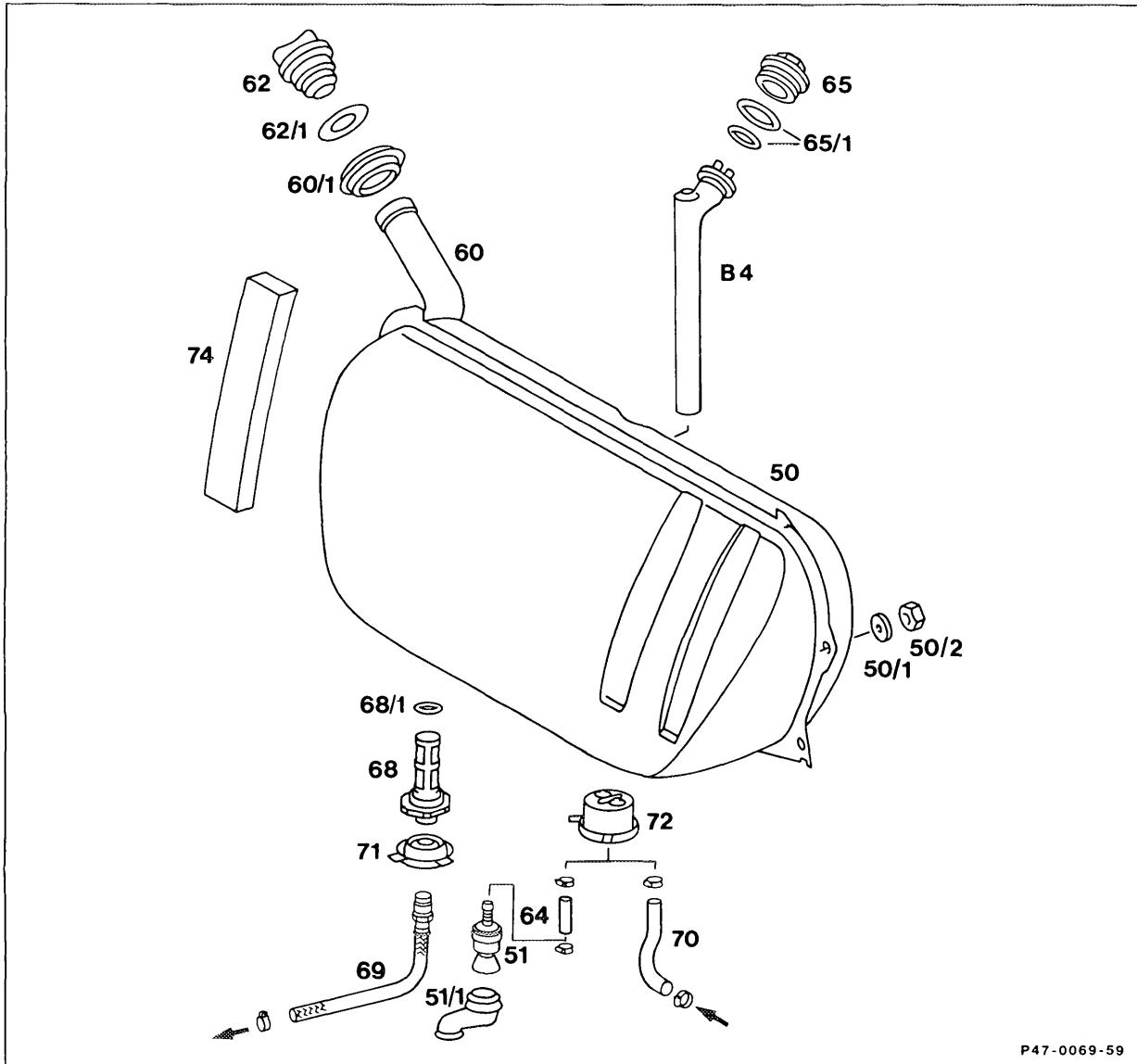


47-100 Removal and installation of fuel tank

A. Model 124 Sedan

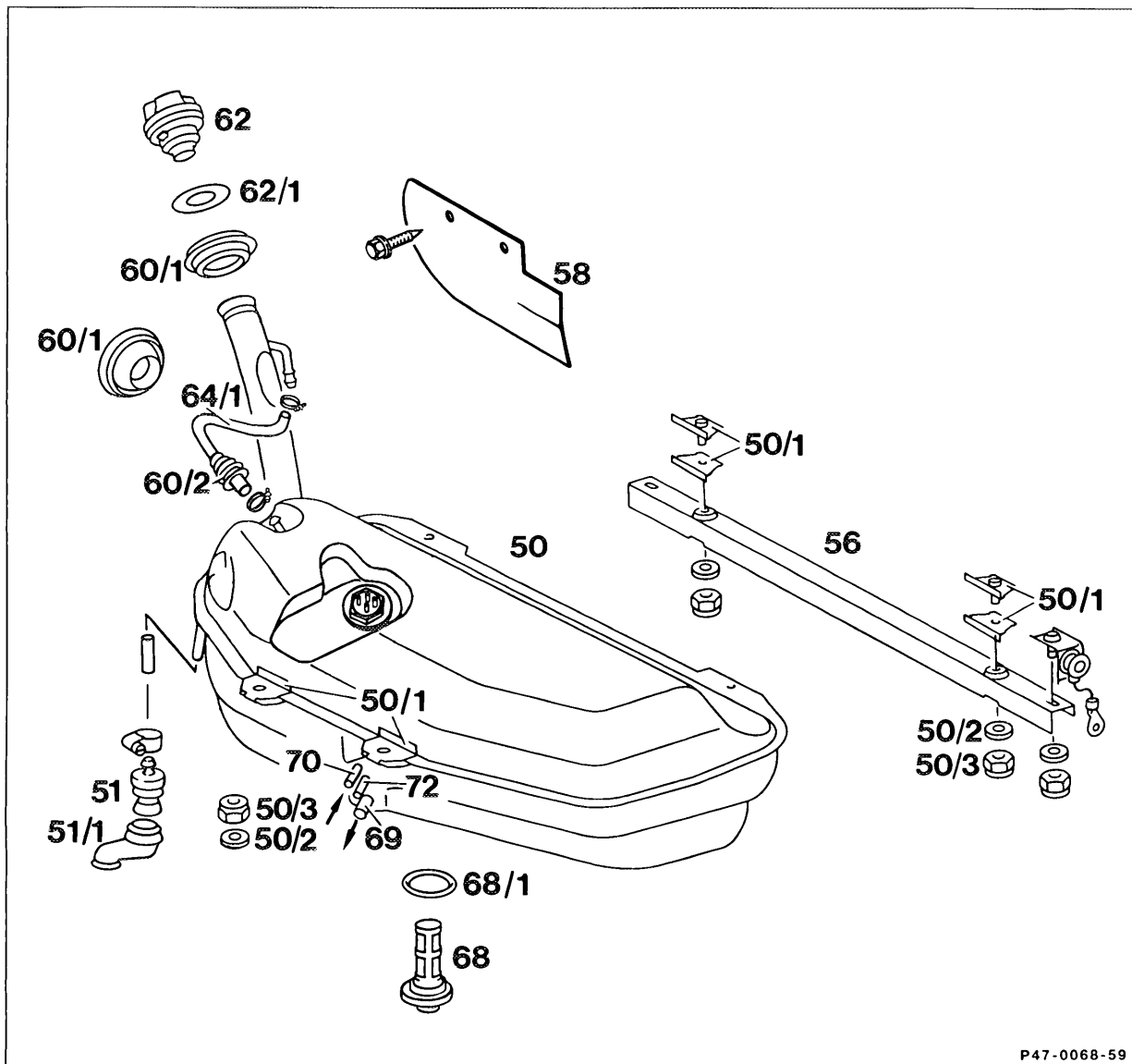


P47-0069-59

Safety regulations	Observe, risk of accident!
Battery ground cable	Disconnect, connect.
Cap (62)	remove, fit. Check seal (62/1), renew if necessary.

Fuel tank (50)	drain. Carefully pump out fuel to ensure that there is no fuel remaining in the tank. Capacity approx. 70 litres (18.5 U.S. gal). Stick 4 sound-deadening strips (74) with MB universal adhesive 000 989 92 71, if necessary.
Cup seal (60/1)	remove, install.
Panelling of fuel tank and left and right side panelling of trunk	remove, install.
Fuel gauge	detach connector on sending unit (B4), fit on, check operation. Remove, install sending unit (B4) 39 Nm, if necessary (47-120). Replace sealing rings.
Supply hose (69), return hose (70), vent valve (51, 51/1)	disconnect, connect, 28 Nm. Check for re-use. Collect remaining fuel. Seal connections. Ensure cup seals (71, 72) are correctly fitted.
Nuts (50/2, 4 off)	unbolt, bolt on, 21 Nm. Use 4 shims (50/1).
Fuel filter (68)	if necessary, remove, install, clean, 39 Nm. Check for re-use. Replace seal (68/1).
Run engine briefly	Check joints for leaks.

B. Model 124 Station Wagon

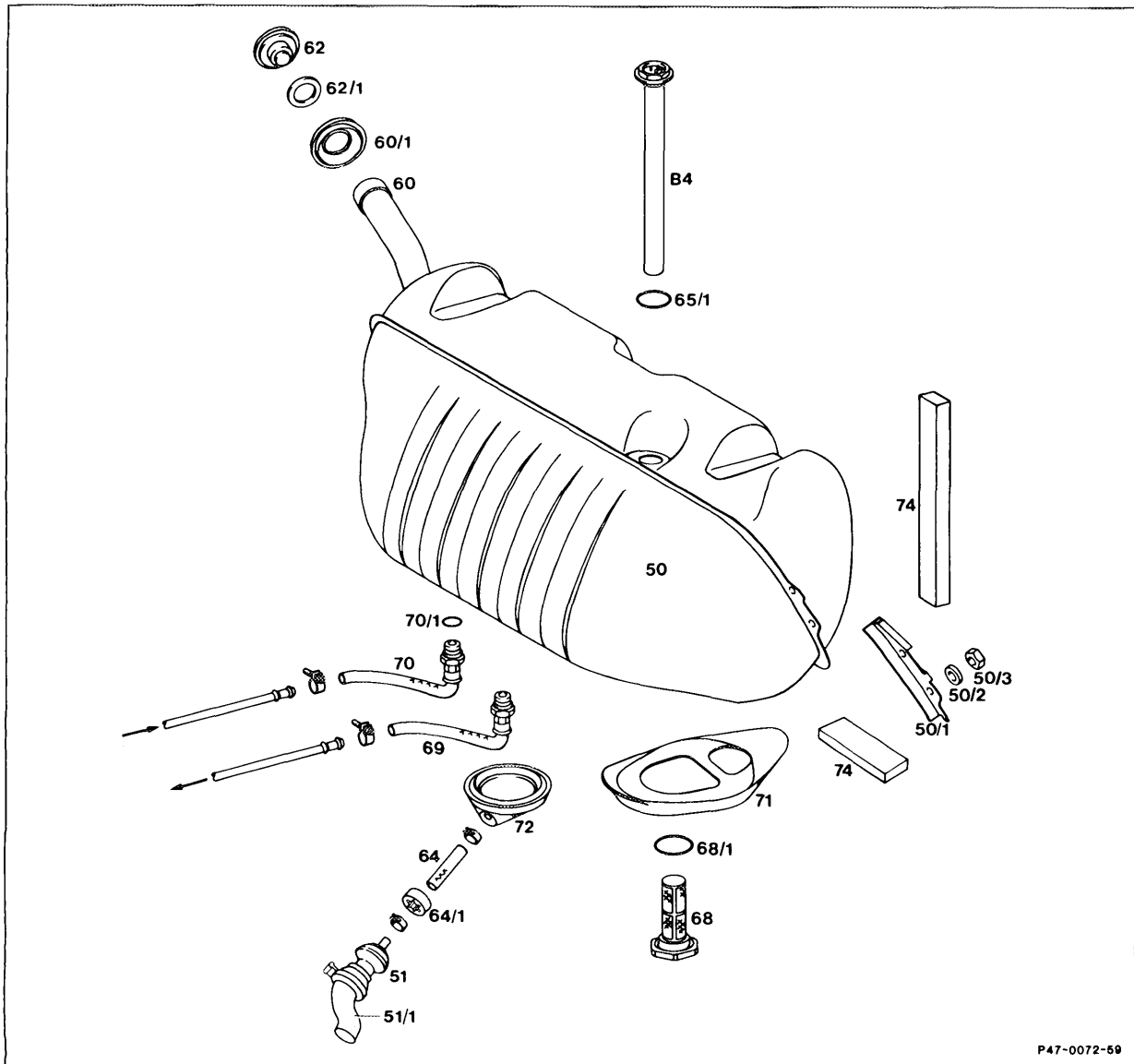


P47-0068-59

Safety regulations	observe, risk of accident!
Battery ground cable	disconnect, connect to battery.
Cap (62/1)	remove, fit. Check seal (62/1), replace if necessary.
Fuel tank (50)	<p>drain. Carefully pump out fuel to ensure that there is no fuel remaining in the tank.</p> <p>Capacity approx. 72 litres (19 U.S. gal.).</p> <p>Stick 4 sound-deadening strips between rear floor and fuel tank with MB universal adhesive 000 989 92 71, if necessary.</p>

Cup seal (60/1)	remove, install.
Front cargo area flap or 3rd bench seat backrest	remove, install.
Panelling of front stowage area	detach and fold back; fold forward and fix in place.
Vent line (64/1)	remove, install. When installing, preassemble on fuel tank. Lay line with constant slope and free of kinks. Ensure cup seal (60/2) is correctly fitted.
Fuel gauge	detach connector on sending unit (B4), fit on, check operation. Remove, install sending unit (B4) 39 Nm, if necessary (47-120). Replace seal rings.
Supply hose (69), return hose (70), leak line (72)	disconnect, connect. Check for re-use. Collect remaining fuel. Seal connections.
Vent valve (51)	detach, attach.
Exhaust	detach, attach at two rear hangers (suspend with V-belt).
Splash guard (58) filler neck	detach, attach.
Bracket of level line (left-hand side)	detach, attach.
U-rail (56)	remove, install 30 Nm (support fuel tank). Nuts (50/3) self-locking.
Fixture (50/1-50/3) of fuel tank at front	unbolt, bolt on, 30 Nm. During removal of fuel tank, ensure that the connection fitting for the vent line (64/1, on the filler neck) does not catch on a line. Press exhaust and level line to the left.
Fuel filter (68)	if necessary, remove, install, clean, 39 Nm. Check for re-use. Replace seal (68/1).
Run engine briefly	Check joints for leaks.

C. Model 126



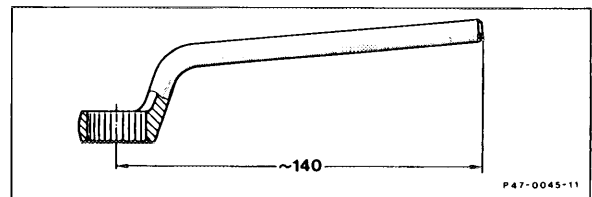
P47-0072-59

Safety regulations	observe, risk of accident!
Battery ground cable	disconnect, connect to battery.
Caps (62)	remove, fit. Check seal (62/1), replace if necessary.
Fuel tank (50)	drain. Carefully pump out fuel to ensure that there is no fuel remaining in the tank. Capacity approx. 90 litres (23.7 U.S. gal.). Stick 4 sound-deadening strips (74) with MB universal adhesive 000 989 92 71, if necessary.

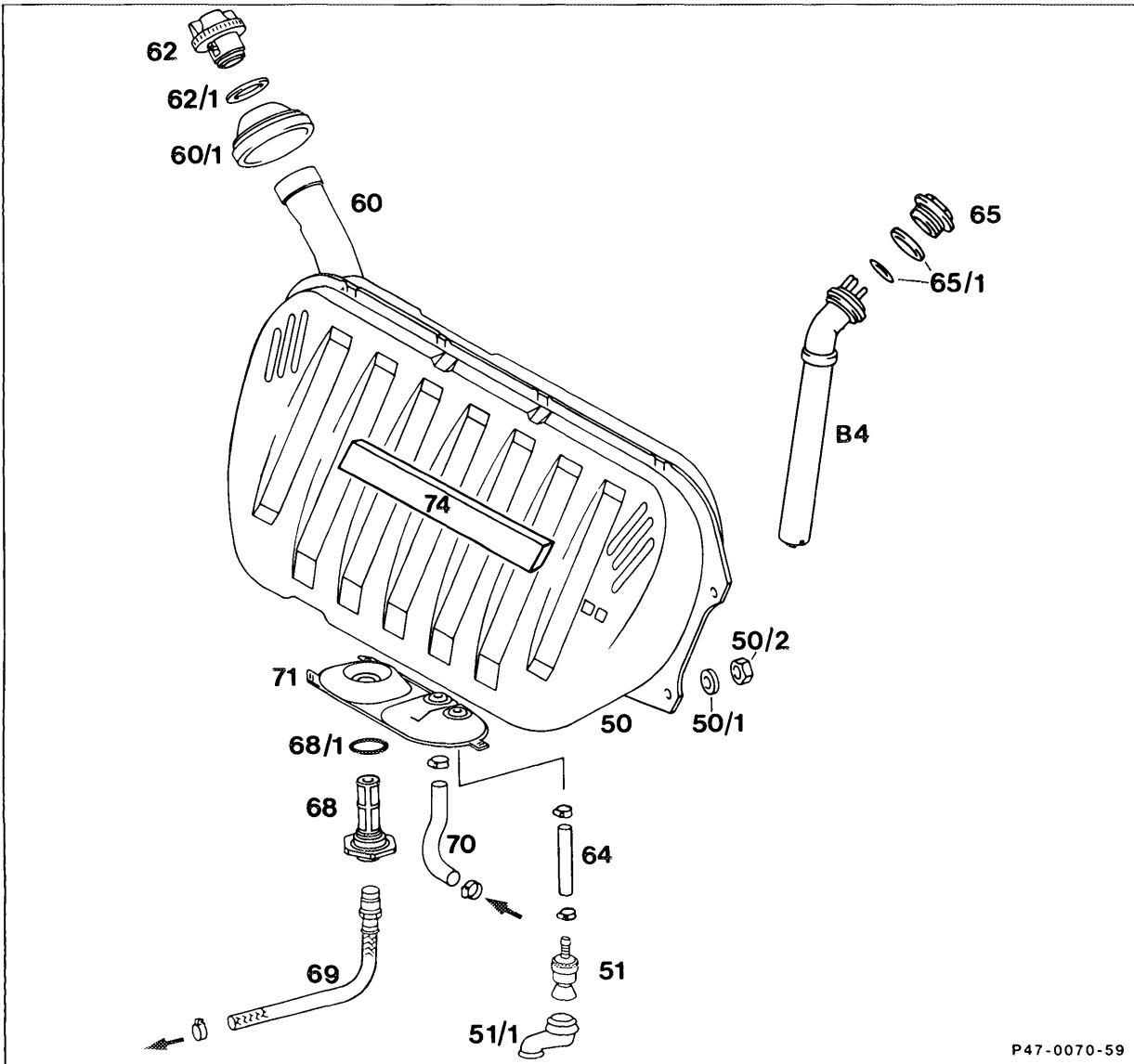
Cup seal (60/1)	remove, install.
Partition wall trunk/fuel tank	remove, install.
Supply line (69), return line (70), vent valve (51)	disconnect, connect, 28 Nm. Check for re-use. Use shortened box wrench (shop-made) for return line (70). Replace seal (70/1). Collect remaining fuel, seal connections. Ensure cup seals (71, 72) are correctly fitted.
Nut (50/3, 4 off)	unscrew, screw on, 21 Nm. Use 4 shims (50/2).
Fuel gauge	detach connector on sending unit (B4), fit on, check operation. Remove, install sending unit (B4) 39 Nm, if necessary (47-120). Replace seal rings.
Fuel filter (68)	if necessary, remove, install, clean, 39 Nm. Check for re-use. Replace seal (68/1).
Run engine briefly	Check joints for leaks.

Shop-made Tool

Shorten commercial, offset box wrench as shown in sketch.



D. Model 201 naturally-aspirated versions



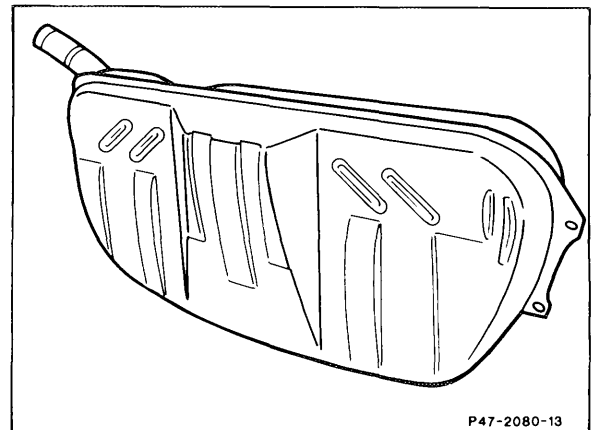
P47-0070-59

Safety regulations	Observe, risk of accident!
Battery ground cable	Disconnect, connect.
Filler cap (62)	Remove, fit. Check seal (62/1), replace if necessary.
Fuel tank (50)	Drain. Carefully pump out fuel to ensure no fuel remains in the tank. Capacity approx. 55 liters (14.5 US gal.) . Stick on 4 sound-absorbing strips (74), if necessary, with MB Universal Adhesive 000 989 92 71 (steel fuel tank only).
Cup seal (60/1)	Remove, install.
Lining of fuel tank	Detach, attach.

Fuel gauge	Detach, fit on connector at sending unit (B4). Check operation. Remove, install sending unit (B4), if necessary, 39 Nm (47-120). Replace seals.
Supply line (69), return line (70), vent valve (51)	Disconnect, connect, 28 Nm. Check for re-use. Collect remaining fuel. Seal connections. Ensure cup seal (71) is correctly seated.
Nut (50/2, 4 off)	21 Nm, use 4 washers (50/1).
Drain hose of tank recess	Before taking out the fuel tank, pull drain hose slightly up the way and lay to behind edge of fuel tank. Refit correctly after installation.
Fuel filter (68)	Remove, install if necessary, 39 Nm, clean. Check for re-use. Replace seal (68/1).
Run engine briefly	Check connections and joints for leaks.

Repair instruction

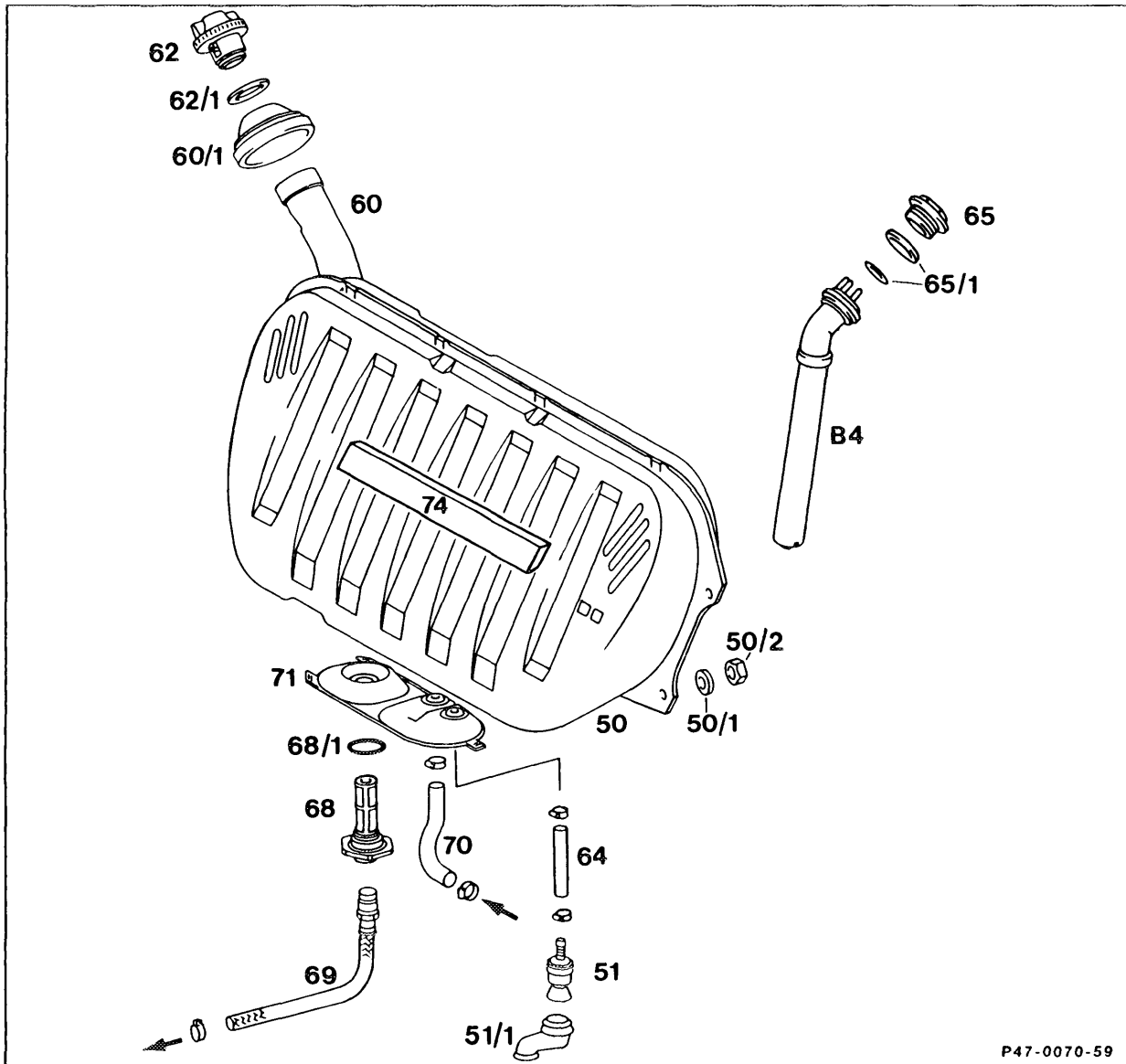
Fuel tanks effective from 09/88 cannot be installed in cars manufactured prior to this date.



effective 09/88

P47-2080-13

E. Model 201 Turbodiesel versions



P47-0070-59

Safety regulations	observe, risk of accident!
Battery ground cable	disconnect, connect.
Cap (62)	remove, install. Check seal (62/1), renew if necessary.
Fuel tank (50)	drain. Carefully pump out fuel to ensure that there is no fuel remaining in the tank. Capacity approx. 55 litres. Stick 4 sound-deadening strips (74) with MB universal adhesive 000 989 92 71, if necessary.

Cup seal (60/1)	remove, install.
Panelling of fuel tank	detach, attach.
Fuel gauge	detach connector on sending unit (B4), fit on, check operation. Remove, install sending unit (B4) 39 Nm, if necessary (47-120). Renew seal rings.
Supply hose (69), return hose (70), vent valve (51)	disconnect, connect, 28 Nm. Check for re-use. Collect remaining fuel, seal connections. Ensure cup seal (71) is correctly fitted.
Nut (50/2, 4 off)	21 Nm. Use 4 shims (50/1).
Drain hose from tank recess	before removing the fuel tank, pull drain hose slightly upwards and lay over edge of fuel tank. Position correctly following installation.
Fuel filter (68)	if necessary, remove, install, clean, 39 Nm. Check for re-use. Replace seal (68/1).
Run engine briefly	Check joints for leaks.