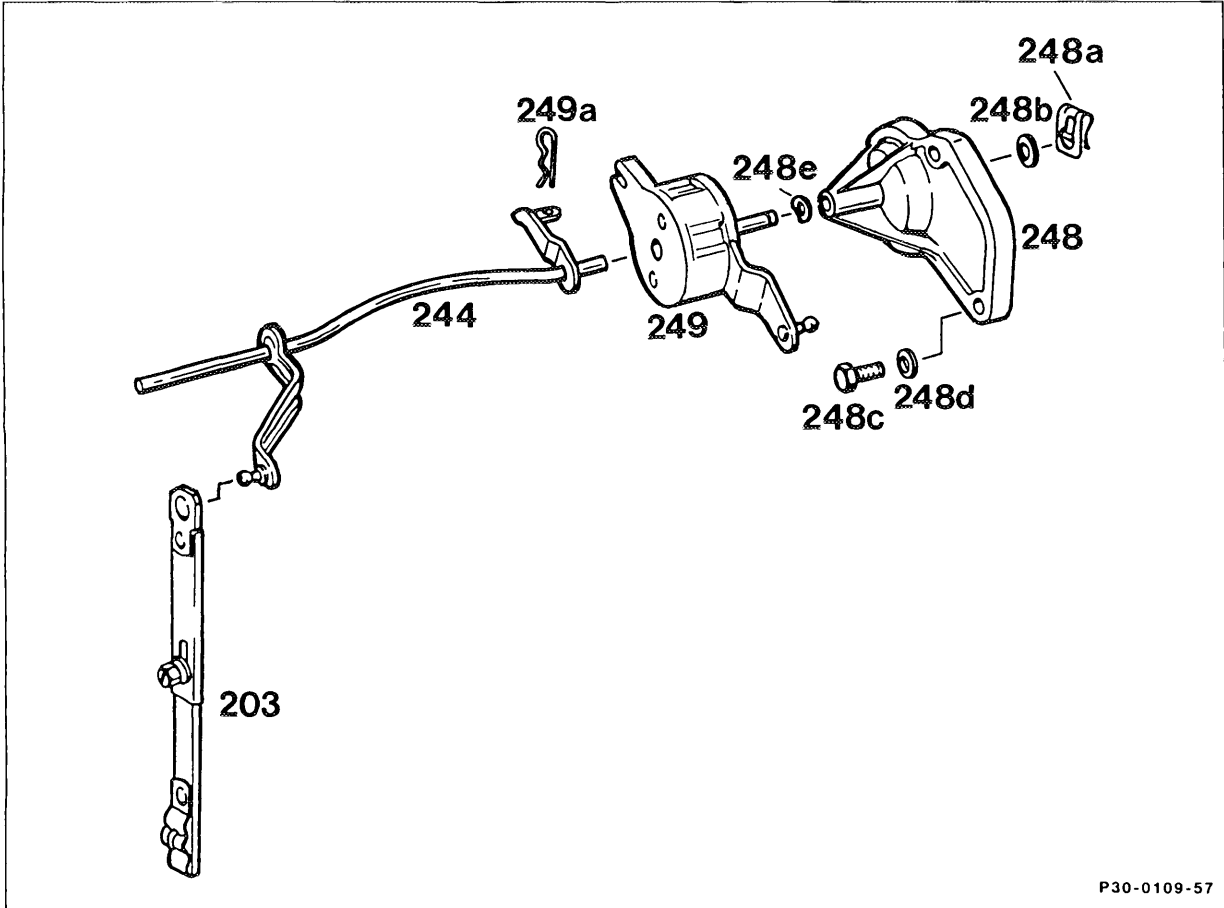


30-400 **Retrofitting accelerator control shaft and bearing bracket -
TurboDiesel**



**Model 126 Engine 603.96
effective Model Year 1986**

A modified accelerator control shaft with bearing bracket can be retrofitted to eliminate accelerator pedal vibration.

Only the modified accelerator control is still available as a replacement part.

Upper part of the components compartment
 bulkhead remove.
 Connecting rod (203), accelerator control shaft
 (244) and bearing support (248) remove.
 New bearing support (248) assemble, fit.

Note

The bearing points and ball sockets of the accelerator control should be greased with DB anti-corrosion grease 000 989 87 57 10 with the exception of the link between the accelerator control shaft (244) and lever (249).

Upper part of the components compartment
 bulkhead install.
 New accelerator control shaft (244) insert, secure.
 Adjustable profile rod (203) mount between accelerator control shaft (244) and injection pump.
 Accelerator control check, adjust (refer to pictorial information).

List of parts

Quantity	Item	Designation	Part No.
1	248a	Locking element	912 007 00 80 00
1	248b	Teflon washer	123 301 01 76
1	248	Bearing bracket	126 301 16 40
3	248c	Screw	914 125 00 63 04 02
3	248d	Washer	000 125 00 64 21
1	248e	Corrugated washer	900 055 00 80 02
1	249	Lever	126 300 46 25
1	249a	Locking element	123 301 02 73
1	244	Accelerator control shaft	126 300 57 20
1	203	Profile rod	000 070 59 75
		Repair kit	126 300 58 20

Note

With the engine off, depress accelerator pedal as far as the stop on the kickdown switch from the interior of the car. The control lever of the injection pump must contact the full throttle stop (arrow). Adjust profile rod, if necessary. It is essential to ensure that the accelerator control moves freely.

