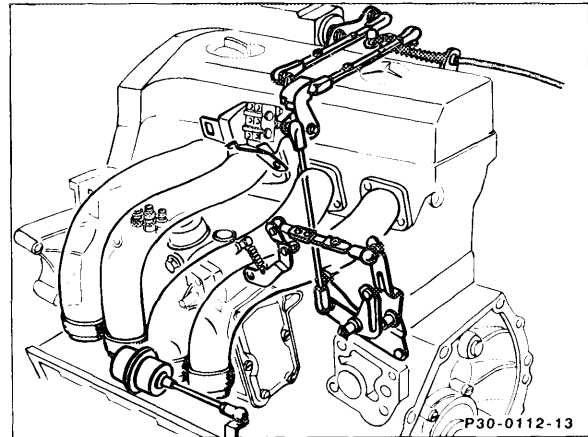


30-335 Lubrication of accelerator control Linkage and control shafts - Turbodiesel

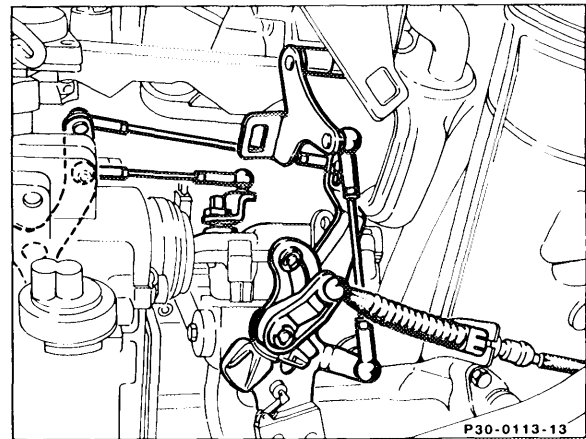
- After each engine wash, lubricate all bearing points of all control shafts, accelerator control levers and joints of the accelerator control linkage with an oil can.
- The Bowden cable is maintenance-free and does not need to be lubricated.
- Only the following hydraulic oils may be used:

Castrol DB Hydraulic Fluid
Mobil Aero HFA
Shell Aero Fluid 4



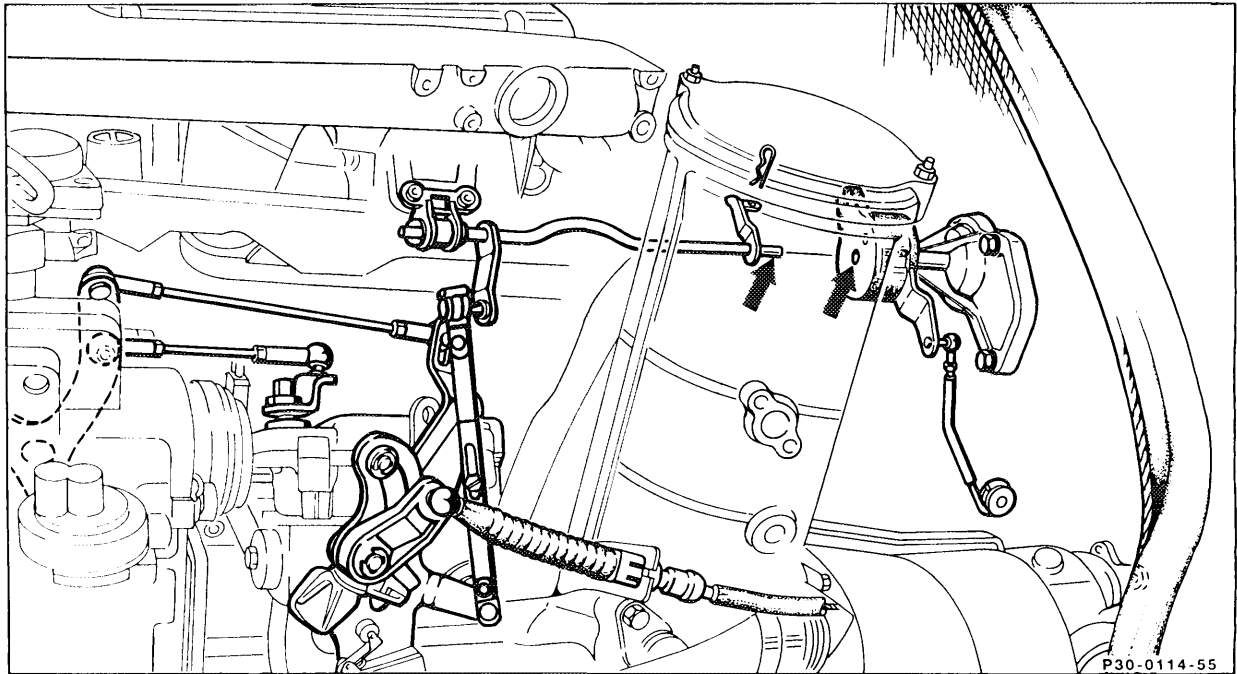
Engine 602.96, Model 201

- Use anti-corrosion grease MB Part No. 000 989 87 57 10 when performing assembly work on the accelerator control linkage.
- Check the accelerator control shafts, control levers, relay levers, ball sockets, Bowden cable and accelerator control linkage for ease of movement and wear.



Engine 603.96, Model 124

The link between accelerator control shaft and lever (arrow) must not be lubricated.



Engine 603.96, Model 126