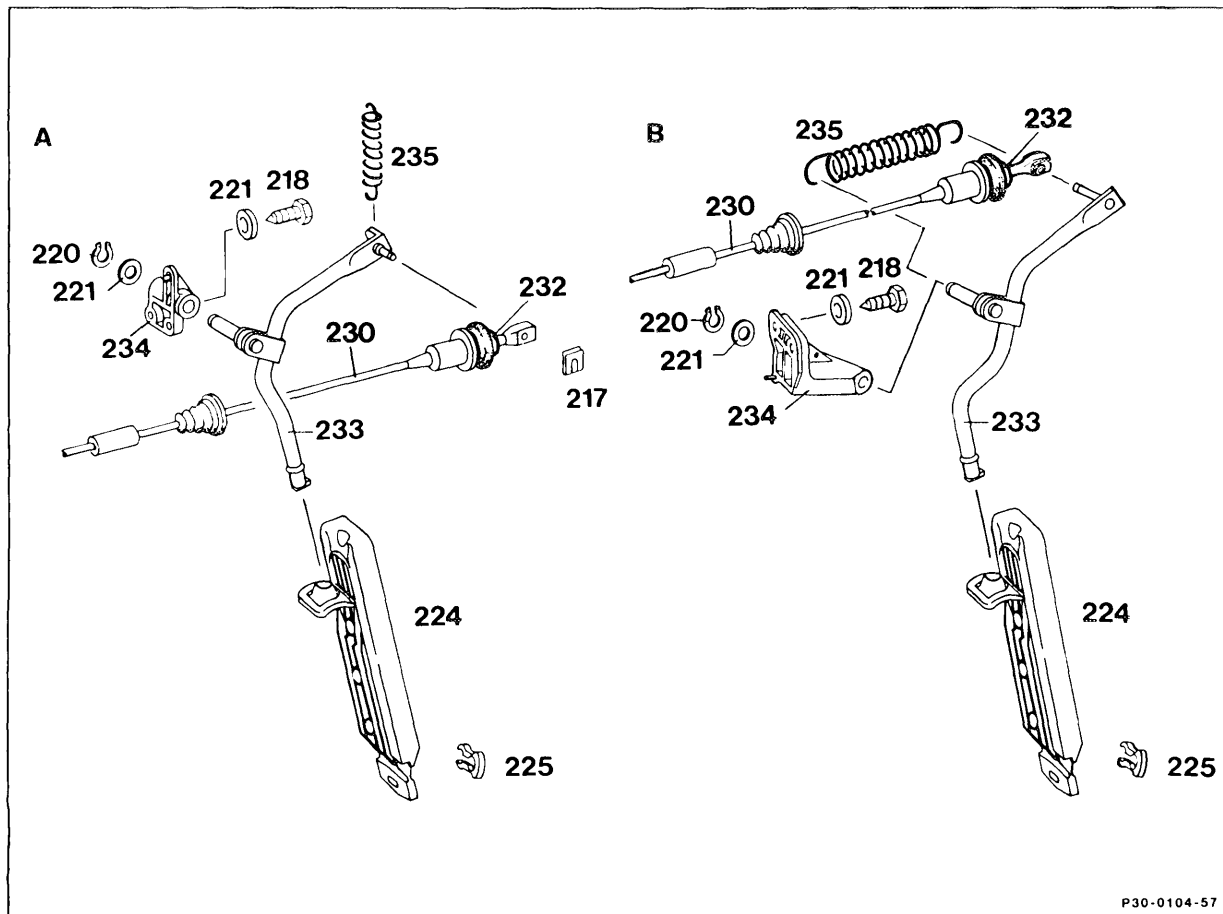


30-315 Removal and installation of firewall bearing for accelerator pedal lever - Turbodiesel

A. Model 124, 201 Turbodiesel



A Model 201
B Model 124

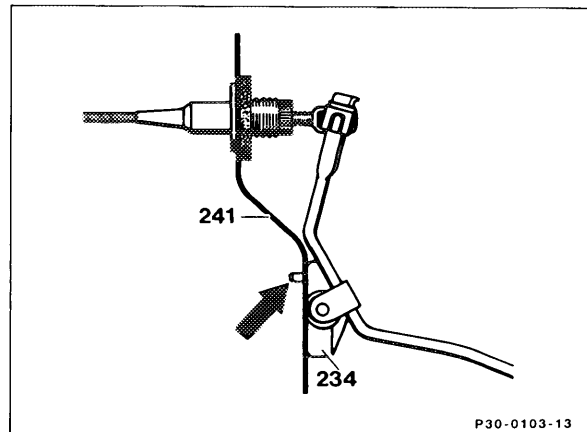
Footwell covering	remove, install.
Accelerator pedal (224)	remove, install (30-300). Unclip, clip in expanding clip (225) for this step.
Return spring (235)	detach, attach.
Locking element (217)	(Model 201 only) remove, refit.
Bowden cable (230)	detach, attach.

Firewall bearing (234) with accelerator pedal lever (233)	remove, install. Remove, fit bolt (218) and washer (221) for this step. Observe installation note for Model 201.
Locking element (220)	detach from accelerator pedal lever, fit on. Press accelerator pedal lever out of firewall bearing, press in.
Accelerator control	check, adjust if necessary (30-300).

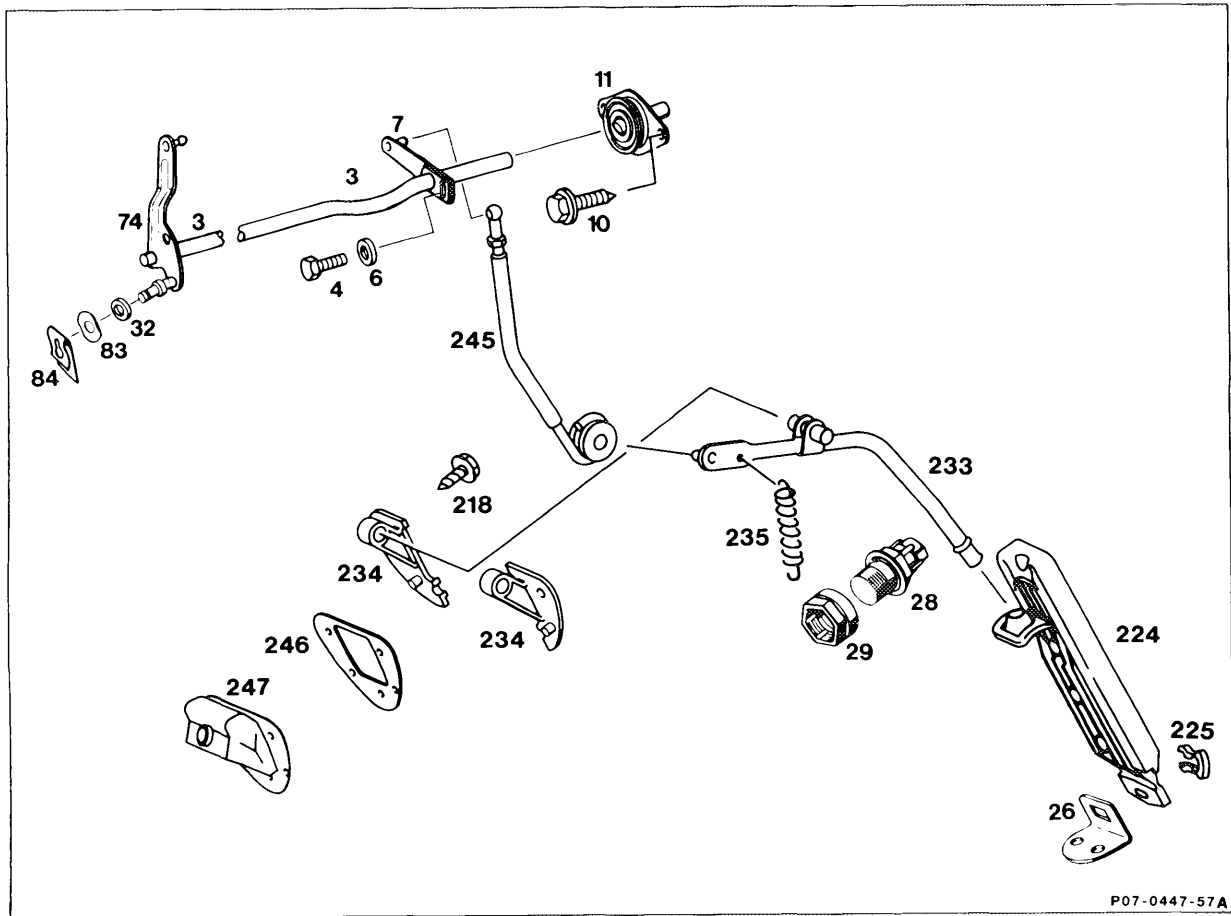
Installation note Model 201

Ensure that the lug (arrow) of the firewall bearing
 (234) engages in the hole on the firewall (241).

Check accelerator control linkage, adjust if
 necessary (30-300).



B. Model 126



P07-0447-57A

Footwell covering	remove, install.
Accelerator pedal (224)	remove, install (30-300). Unclip, clip in spreader clip (225) for this step.
Return spring (235)	detach, attach.
Firewall bearing (234) with accelerator pedal lever (233)	remove, install. Remove, fit bolt (218) for this step.
Thrust rod (245), intermediate plate (246) and rubber seal (247)	remove, fit.
Accelerator control	check, adjust if necessary (30-300).

Note

The bearing points as well as the ball sockets of the accelerator control linkage should be greased with DB anti-corrosion grease (Part No. 000 989 87 57 10).

The link from the accelerator pedal lever to accelerator pedal is maintenance-free and does not need to be greased.