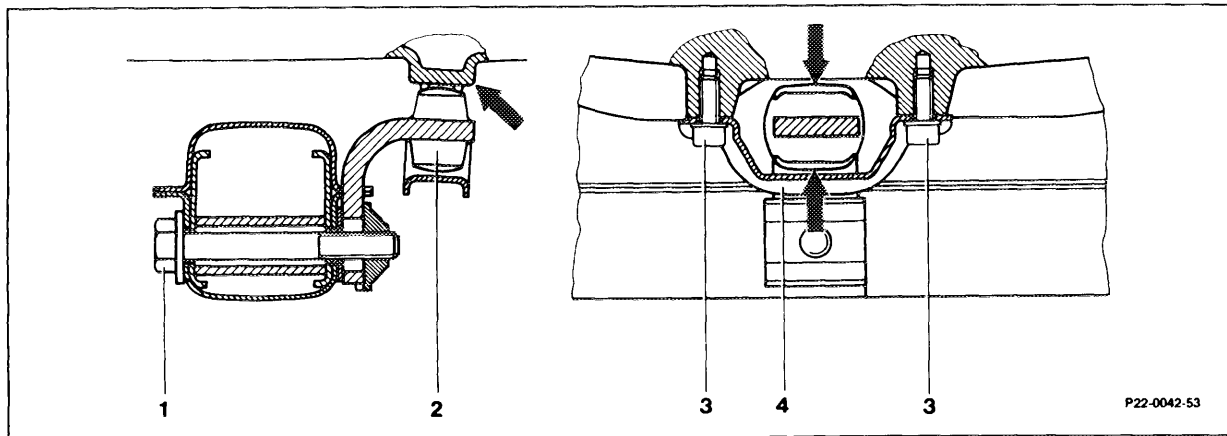


22-220 Adjusting engine stop

Preceding work:
Bottom engine compartment lining removed (01-006).



Note

For this adjustment, the vehicle must be on its wheels and ready to be driven.

The engine stop must not be treated with oil or grease.

Adjusting bolt (1) loosen at front engine stop, tighten, 130 Nm insert gauge 201 589 04 23 00 remove (steps 1, 3 – 7).

Note

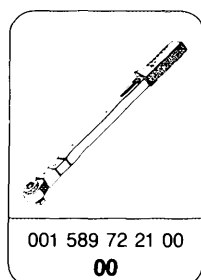
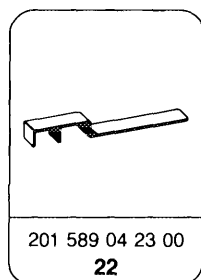
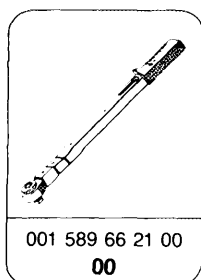
Loosen prepared engine stop from frame cross member.

Adjusting bolt (11) loosen at rear engine mount, tighten, 30 Nm (steps 2, 5).

Tightening torques

	Nm
Adjusting bolt, front engine stop	130
Adjusting bolt, rear engine mount	30

Special tools



Loosening

Note

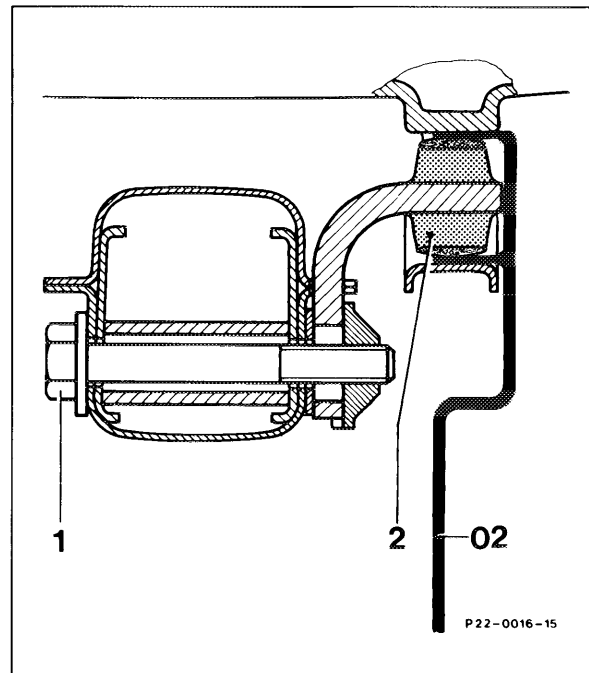
To adjust the engine stop, the vehicle must be ready to be driven and on the ground. The engine stop must not be treated with oil or grease.

- 1 Loosen adjusting bolt (1) at engine stop (2) fully.

Note

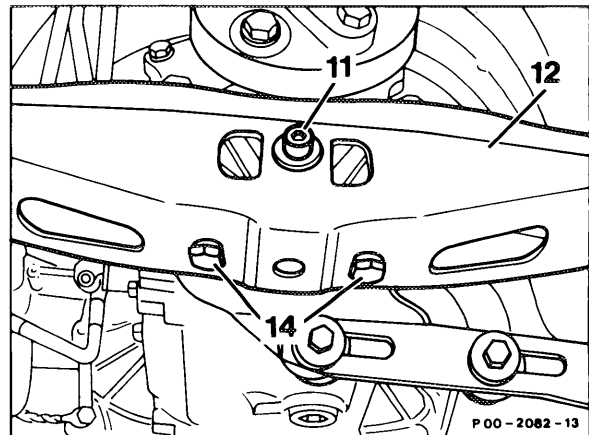
Loosen the engine stop which may be sticking to the frame cross member due to wax or paint.

04 Gauge 201 589 04 23 00



- 2 Loosen adjusting bolt (11) at rear engine supporting bracket fully.

12 Engine supporting bracket
14 Engine mount hexagon bolts



Adjusting

- 3 Insert gauge 201 589 04 23 00 (02) at engine stop.
- 4 Move engine by shaking slightly from left to right by hand.
- 5 Tighten adjusting bolt at rear engine mount, 30 Nm.
- 6 Tighten adjusting bolt (1) at engine stop (2), 130 Nm.
- 7 Remove gauge (02).