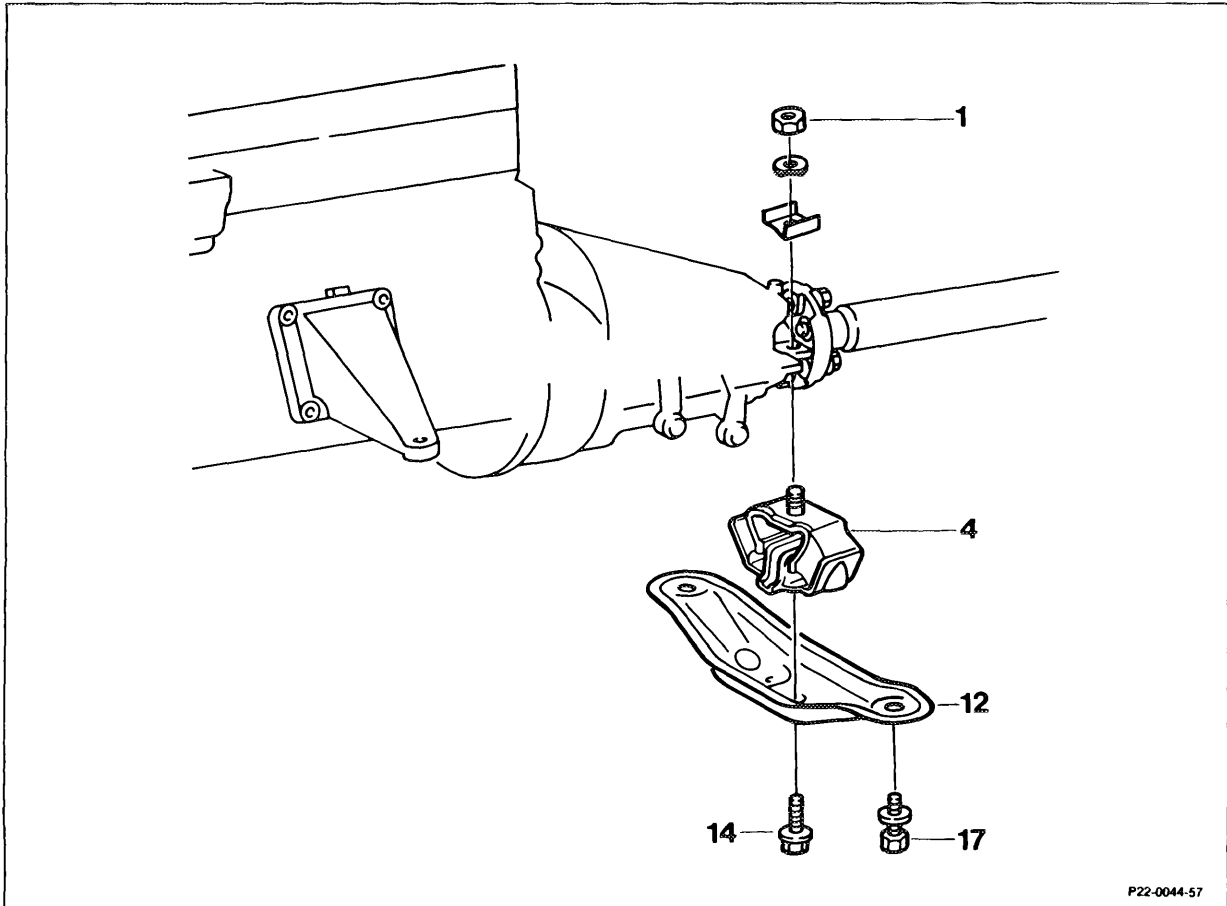


22-212 Removal and installation of rear engine mount

Preceding work:
Bottom engine compartment lining removed (01-006).

A. Vehicles with hydraulic engine mount

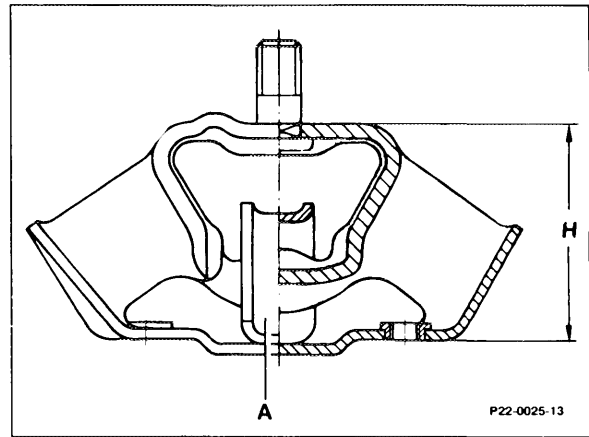


P22-0044-57

Hexagon nut (1)	unbolt, bolt on, 70 Nm.
Transmission	remove support from below.
Hexagon bolts (17)	unbolt, bolt in, 35 Nm.
Engine supporting bracket (12)	remove together with engine mount (4), attach. Hexagon bolts (14), 25 Nm.

Note

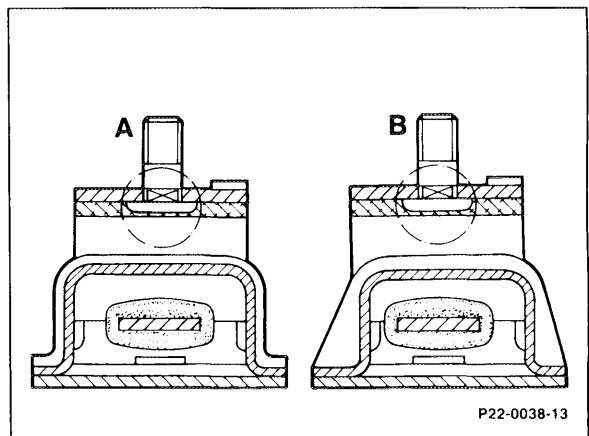
Effective from the introduction of the hydraulic engine mounts, the rear engine mount has been provided with a catch bar (A). In addition, the height (H) of the engine mounts has been altered.

**Dimensions**

Model	Version	Height (H)
201	4- and 5-speed transmission	64 mm
	automatic transmission	62 mm
124	all	64 mm

Engine mount spring travel to the front limited

As a result of a production modification the spring travel of the engine mount to the front has been restricted.



A Previous version
B Modified version

Tightening torques

	Nm
Hexagon nut engine mount – transmission	70
Hexagon bolt engine mount – engine supporting bracket	25
Hexagon bolts of engine supporting bracket	45

1) 603.913 and 603.963 effective 04/88

Special tools

