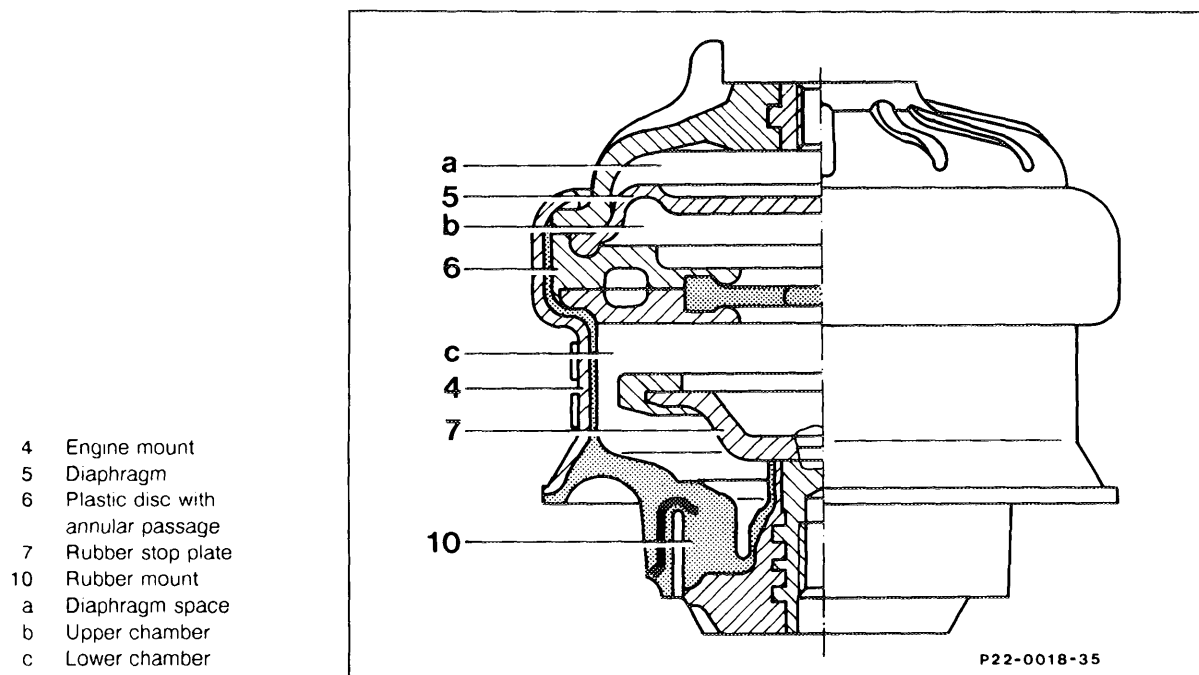


## 22-210 Function of hydraulic engine mounts



The hydraulic engine mounts are filled with a glycol mixture. The glycol mixture is located in two chambers (b and c). The two chambers are connected to each other by an annular passage in the plastic disc (6). The glycol mixture flows along the annular passage into the respective chamber as the springs compress or rebound. A diaphragm (5) limits the upper chamber (b). Air is admitted to or released from the diaphragm space (a) through two passages. The rubber stop plate (7) in the lower chamber (c) is firmly connected to the bearing foot and limits the spring travel during compression. The engine mount (4) is attached by a hexagon bolt to the engine supporting bracket and by a hexagon socket bolt to the frame cross member.

All parts of the engine mounting are maintenance-free.

The hydraulic engine mounts have identical load bearing capacity on the left and right but differ depending on the various engine and transmission versions.

They are identified by a colored dot on the housing in order to avoid interchanging them accidentally.