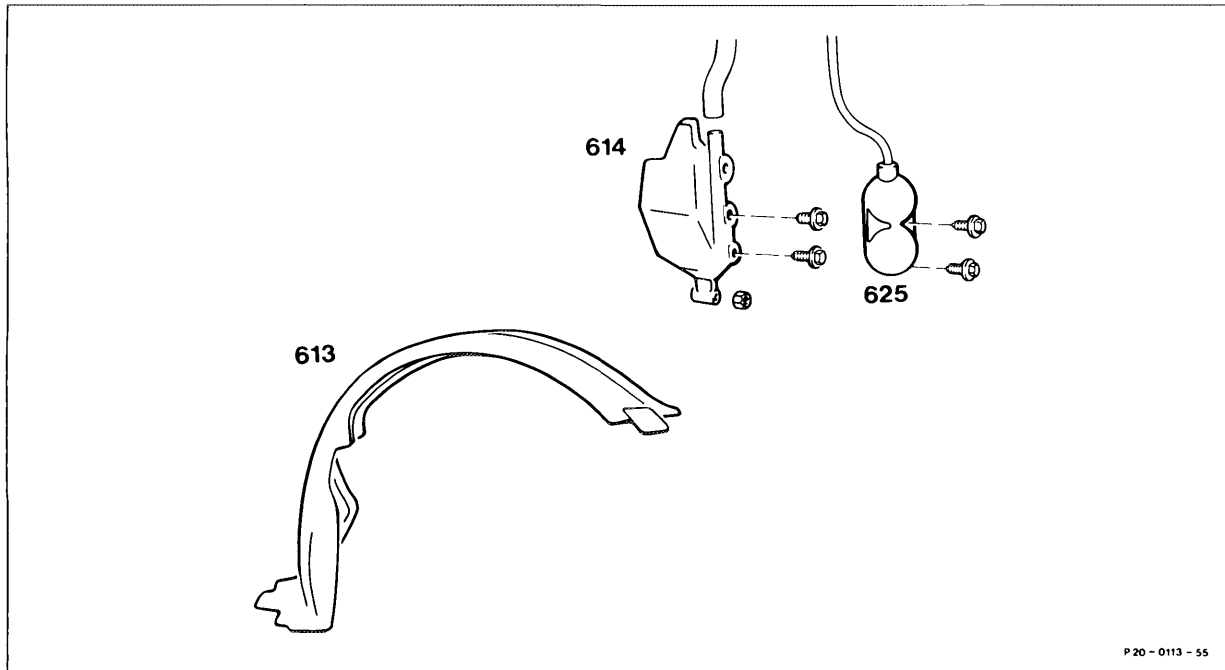
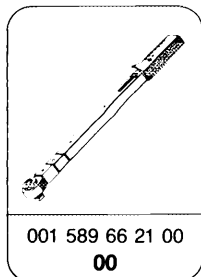


## 20-450 Removal and installation of overflow tank



Front right wheel	remove, refit.
	Tightening torque 110 Nm.
Partition panel (613) under front fender	remove, install (step 2).
Vacuum reservoir (625)	remove, install (step 3).
Overflow tank (614)	remove, install (step 4).

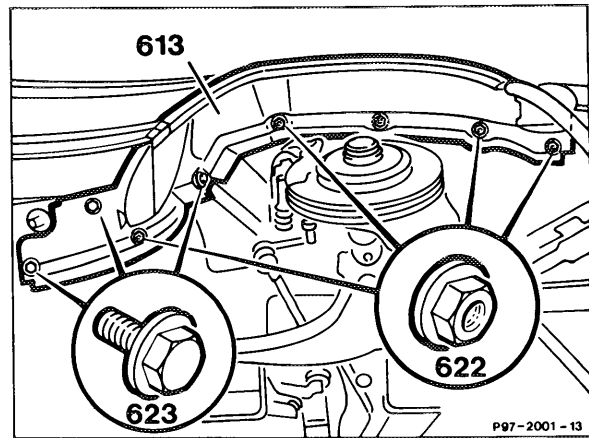
### Special tool



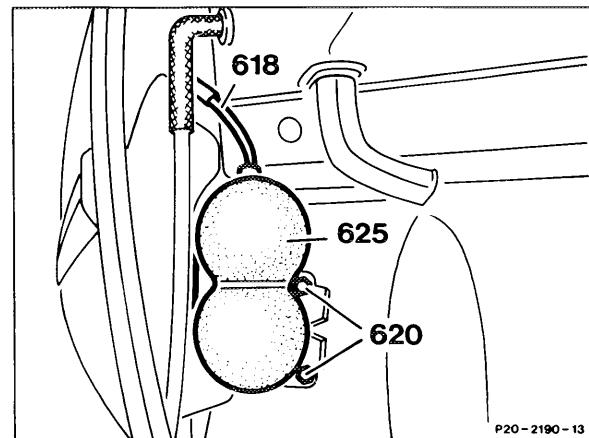
## Removal and installation

---

- 1 Remove right front wheel.
- 2 Unscrew bolts (623) and nuts (622), remove partition panel (613).



- 3 Detach vacuum hose (618). Remove bolts (629) and remove vacuum tank (625).



- 4 Remove bolts (619) and nut (621). Detach hose (615) and remove overflow tank (614).

- 5 Install in the reverse order.

