

- 550 Coolant level sensor
- 551 Float
- 552 O-ring

General

The coolant level indicator monitors the coolant level in the expansion tank when the engine is running.

The coolant level indicator lights up when the ignition is switched on (control function) and goes out as soon as the engine is running.

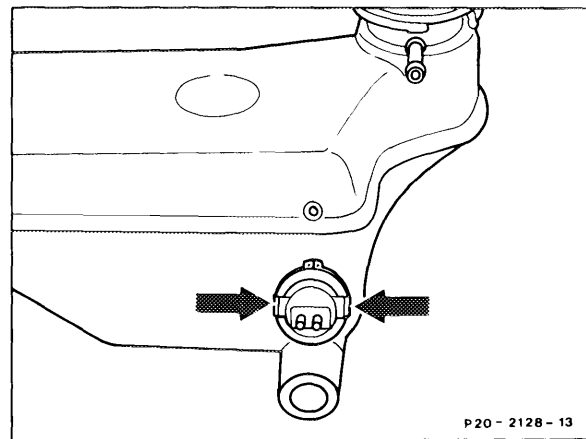
For the control function, the coolant level indicator shows a weak light and a bright light if there is a fault during engine operation.

Components

- Coolant level sensor (550) in expansion tank
- Indicator lamp in instrument cluster.
Symbol: radiator.

To ensure that the coolant level sensor is correctly installed, it has two lugs of different width which fit into matching slots on the expansion tank (arrows).

The sensor is press-fitted in the expansion tank and sealed with an O-ring. Remove locking ring in order to withdraw the coolant level sensor.



Function

The coolant level in the expansion tank is sensed by a float (551) with permanent magnet attached to the coolant level sensor.

Below a certain coolant level the contact is closed and the indicator lamp lights up.

Depending on driving style the indicator lamp lights up briefly and later shows a steady light. If the indicator lamp lights up, top off coolant.